

WerkArm

WerkArms are powered by Bal-Trol balancing hoists and offer variable speed control. These hoists are designed to deliver fast and precise load placement. Gentle pressure causes slow gradual movement. Increased pressure causes faster movement. Smooth travel movement is consistent throughout travel.

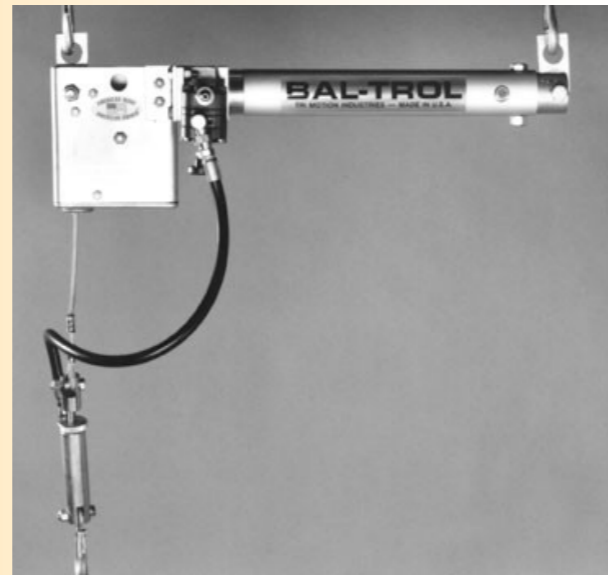
A standard feature designed into these units is load float. Once a load has been roughly located the operator can simply grasp the load and experience a degree of weightlessness while precisely moving the load up and down manually.

Air operation means low maintenance and operating costs with no expensive electronic components to replace. WerkArms are easy to maintain and each WerkArm comes with a one year warranty against defects in parts and craftsmanship.

WerkArms offer an economical solution to reduce employee fatigue, increase efficiency and promote workplace safety.



Made in USA



Standard Features

- Pendant controls
- Precision ball bearing construction for ease of movement
- Meets or exceeds all OSHA, ANSI, CMAA, HMI, & NEC requirements.
- CAD approval drawings for ease of layout
- Safety yellow paint

Available Options

- Rotation stops (main or secondary arm)
- Adjustable rotation brake
- 360° rotation available on premium models
- Manipulator control
- Additional cable and pendant lengths
- Filter, regulator, lubricator kits
- Elevated level adjustment
- Portable base
- Anchor bolts
- Base plate templates
- Custom paint

Additional lengths, heights, and capacities available.

Contact your local CraneWerks dealer:

511 N. Range Line Road
Morristown, IN 46161
Ph: 765-763-8959
Fax: 765-763-8960
Sales@CraneWerks.com
www.CraneWerks.com



888-544-2121



WerkArm

50-300 lb. Capacity

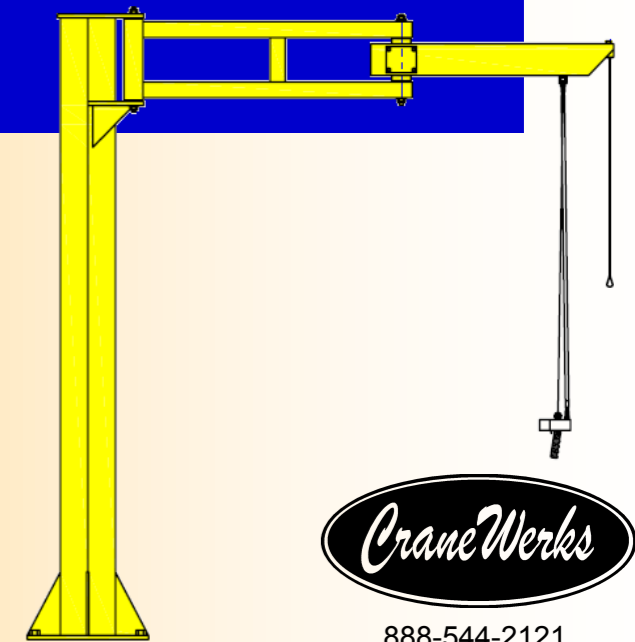
Additional sizes available upon request.

The WerkArm combines an air powered balancing hoist with a uniquely designed articulating arm.

Great hook height is a product of the hoists' placement inside the jibs support arm. The compact design maximizes the usefulness of the lifter in applications where minimum headroom is available.

CraneWerks' WerkArms allow for easy manipulation of light to moderate loads. The unique base and pedestal design along with the articulating arm allows for loads to be picked even behind the jib.

Both base and wall mounted options are available.



888-544-2121

Wall Mount

50 lb. Capacity			
Model No.	Reach (ft.)	Hook Travel (ft.)	Standard Cable Length (ft.)
WAW-50-8-6	8	6	10
WAW-50-10-6	10	6	10
WAW-50-12-6	12	6	10

100 lb. Capacity			
Model No.	Reach (ft.)	Hook Travel (ft.)	Standard Cable Length (ft.)
WAW-100-8-6	8	6	10
WAW-100-10-6	10	6	10
WAW-100-12-6	12	6	10

200 lb. Capacity			
Model No.	Reach (ft.)	Hook Travel (ft.)	Standard Cable Length (ft.)
WAW-200-6-6	6	6	10
WAW-200-8-6	8	6	10
WAW-200-10-6	10	6	10
WAW-200-12-6	12	6	10

300 lb. Capacity			
Model No.	Reach (ft.)	Hook Travel (ft.)	Standard Cable Length (ft.)
WAW-300-6-6	6	6	10
WAW-300-8-6	8	6	10
WAW-300-10-6	10	6	10
WAW-300-12-6	12	6	10

Base Mount

50 lb. Capacity				
Model No.	Reach (ft.)	Height Under Boom (ft.)	Hook Travel (ft.)	Overall Height (ft.)
WAB-50-8-10	8	8' 5"	6'	10
WAB-50-10-10	10	8' 5"	6'	10
WAB-50-12-10	12	8' 5"	6'	10

100 lb. Capacity				
Model No.	Reach (ft.)	Height Under Boom (ft.)	Hook Travel (ft.)	Overall Height (ft.)
WAB-100-8-10	8	8' 5"	6'	10
WAB-100-10-10	10	8' 5"	6'	10
WAB-100-12-10	12	8' 5"	6'	10

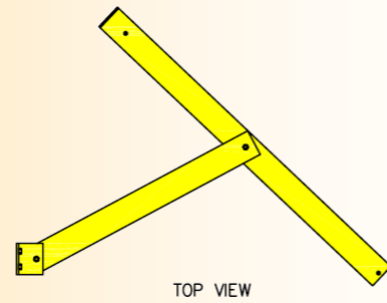
200 lb. Capacity				
Model No.	Reach (ft.)	Height Under Boom (ft.)	Hook Travel (ft.)	Overall Height (ft.)
WAB-200-6-10	6	8' 3"	6'	10
WAB-200-8-10	8	8' 3"	6'	10
WAB-200-10-10	10	8' 3"	6'	10
WAB-200-12-10	12	8' 3"	6'	10

300 lb. Capacity				
Model No.	Reach (ft.)	Height Under Boom (ft.)	Hook Travel (ft.)	Overall Height (ft.)
WAB-300-6-10	6	8' 3"	6'	10
WAB-300-8-10	8	8' 3"	6'	10
WAB-300-10-10	10	8' 3"	6'	10
WAB-300-12-10	12	8' 3"	6'	10

Small Capacity Wall Mount

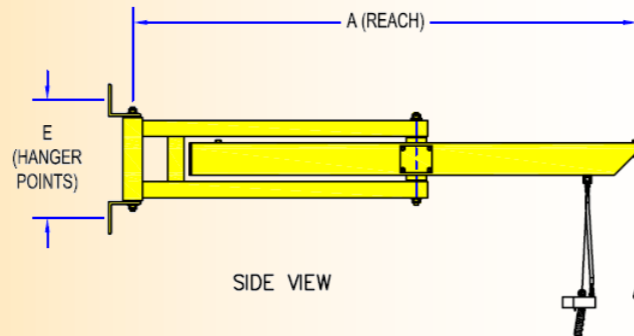
50 LBS CAPACITY

MODEL NUMBER	A	E
WAW-50-8-6	8'	21"
WAW-50-10-6	10'	21"
WAW-50-12-6	12'	21"



100 LBS CAPACITY

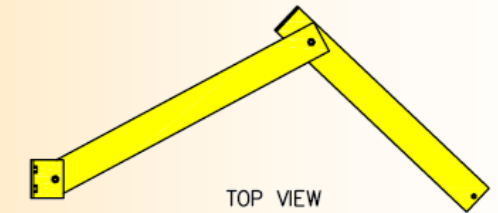
MODEL NUMBER	A	E
WAW-100-8-6	8'	21"
WAW-100-10-6	10'	21"
WAW-100-12-6	12'	21"



Large Capacity Wall Mount

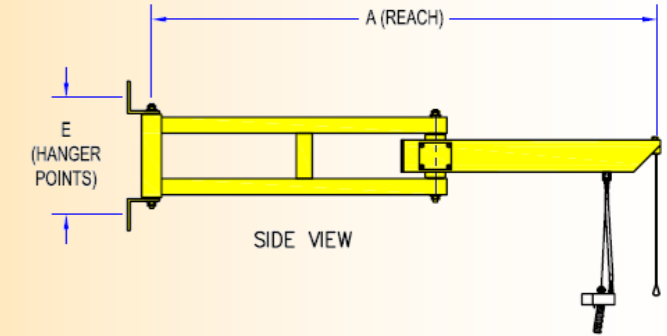
200 LBS CAPACITY

MODEL NUMBER	A	E
WAW-200-6-6	6'	23"
WAW-200-8-6	8'	23"
WAW-200-10-6	10'	23"
WAW-200-12-6	12'	23"

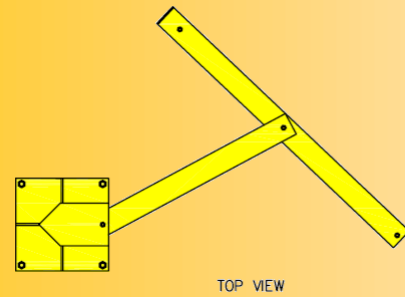


300 LBS CAPACITY

MODEL NUMBER	A	E
WAW-300-6-6	6'	23"
WAW-300-8-6	8'	23"
WAW-300-10-6	10'	23"
WAW-300-12-6	12'	23"



Small Capacity Base Mount

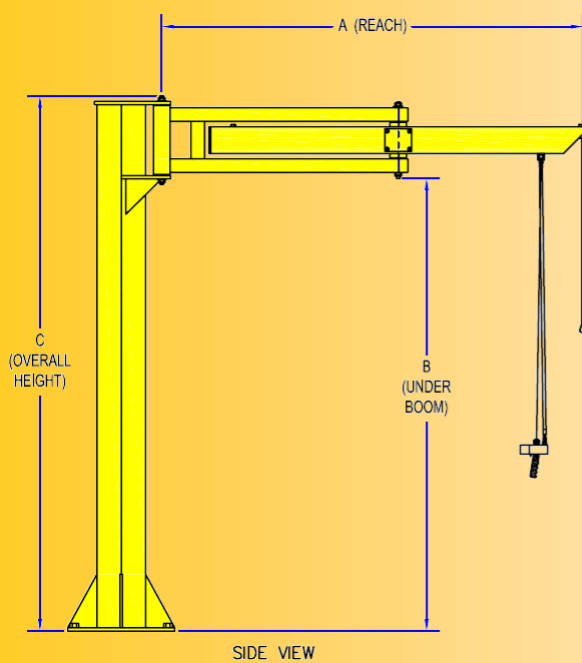


50 LBS CAPACITY

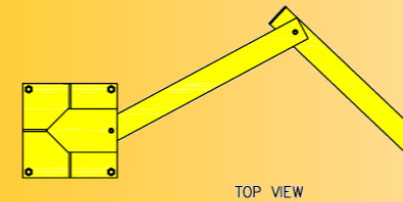
MODEL NUMBER	A	B	C
WAB-50-7-10	7'-10"	8'-5"	10'
WAB-50-10-10	10'	8'-5"	10'
WAB-50-12-10	12'	8'-5"	10'

100 LBS CAPACITY

MODEL NUMBER	A	B	C
WAB-100-7-10	7'-10"	8'-5"	10'
WAB-100-10-10	10'	8'-5"	10'
WAB-100-12-10	12'	8'-5"	10'



Large Capacity Base Mount

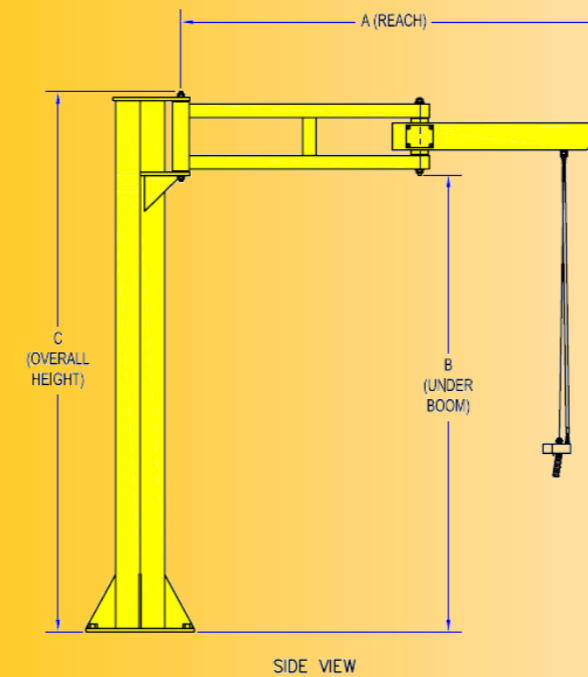


200 LBS CAPACITY

MODEL NUMBER	A	B	C
WAB-200-6-10	6'	8'-3"	10'
WAB-200-8-10	8'	8'-3"	10'
WAB-200-10-10	10'	8'-3"	10'
WAB-200-12-10	12'	8'-3"	10'

300 LBS CAPACITY

MODEL NUMBER	A	B	C
WAB-300-6-10	6'	8'-3"	10'
WAB-300-8-10	8'	8'-3"	10'
WAB-300-10-10	10'	8'-3"	10'
WAB-300-12-10	12'	8'-3"	10'



511 N. Range Line Road
Morristown, IN 46161
Phone: 765-763-8959
Fax: 765-763-8960
sales@cranewerks.com
www.cranewerks.com



511 N. Range Line Road
Morristown, IN 46161
Phone: 765-763-8959
Fax: 765-763-8960
sales@cranewerks.com
www.cranewerks.com

