



Vancouver – Head Office
 3260 Production Way,
 Burnaby, BC V5A 4W4
Tel.: (604) 444-5300
Toll Free Tel.: 800-472-7685
Fax: (604) 444-9227
Toll Free Fax: 800-663-7742



Edmonton
 5239 - 86 Street,
 Edmonton, AB T6E 6T1
Toll Free Tel.: 800-472-7685
Toll Free Fax: 800-663-7742



Winnipeg
 951 Powell Avenue,
 Winnipeg, MB R3H 0H4
Tel.: (204) 632-6970
Toll Free Tel.: 800-665-7524
Fax: (204) 694-9534
Toll Free Fax: 877-694-9534



Toronto
 979 Gana Court,
 Mississauga, ON L5S 1N9
Tel.: (905) 565-8661
Toll Free Tel.: 800-387-3879
Fax: (905) 565-7266
Toll Free Fax: 800-267-3310



Montreal
 4620 rue Garand,
 St-Laurent, QC H4R 2A2
Toll Free Tel.: 800-363-2885
Toll Free Fax: 800-267-3310



Halifax
 110 - 11 Morris Drive,
 Dartmouth, NS B3B 1M2
Tel.: (902) 468-8324
Toll Free Tel.: 800-472-7686
Fax: (902) 468-3461
Toll Free Fax: 877-468-3461



For over 50 years JET Equipment & Tools Ltd. – a 100% Canadian owned and operated company, has been supplying a broad range of professional quality tools and equipment to professional users. We are one of Canada's fastest growing suppliers of tools and equipment to the automotive, industrial, rental and construction industries.

Our product range includes: professional hand tools, air tools, lifting and shop equipment, abrasives, material handling equipment and specialty tools. JET products are designed and manufactured to the highest standards to meet the needs of professional users in all industries. We are constantly adding new and innovative tools that contribute to performance and productivity improvements and offer our users savings of time, effort and money.

We provide fast efficient service to the Canadian market from 6 warehouses – Vancouver, Edmonton, Winnipeg, Toronto, Montreal, Halifax. All JET products are supported through a network of coast-to-coast warranty depots.

JET's ever-increasing market share supports our philosophy that quality products, strong field and technical support, and superior customer service are key to building a successful business over the longer term. We thank our customers – past, present and future, for their continued support as we pursue our mission to become Canada's One-Stop-Shop for professional quality tools and equipment.

For the name of an authorized JET distributor near you, please contact any of our JET call centres.

TABLE OF CONTENTS

Chain Hoists.....	4 - 7	Plate Clamps.....	22
Air Hoists.....	8	Blocks / Sheaves.....	23
Electric Hoists.....	9 - 13	Mechanical Bottle Screw Jack.....	24
Electric Trolleys & Accessories.....	11	Hydraulic Bottle Jacks.....	25
Hand Cable Pullers.....	14	Hydraulic Toe Jacks.....	25
Lever Chain Pullers.....	15 - 17	Pallet Trucks.....	26 - 27
Grip Pullers.....	18 - 19	Mobile Lift Tables.....	27
Wire Rope.....	19	Winches.....	28
Manual Adjustable Trolleys.....	20	Submersible Pumps.....	29
Extension Shaft Kits.....	21	Display Racks.....	30
Beam Clamps.....	21	Warranty Policy.....	30
Drum Clamps.....	21	Numerical Index.....	31
		Alphabetical Index.....	31

Selected **NEW** PRODUCTS!



**Mechanical
Bottle Screw Jack**
pg. 24



CHAIN HOISTS



L-90 SERIES HEAVY DUTY

- Light weight steel construction
- Housing, sheaves and frame are all steel
- Handwheel cover prevents dirt and dust from hampering operation
- A rolled edge on the cover acts as a chain guide and allows smooth operation even when pulling the hand chain at an angle
- Electrostatic powder painted before assembly to protect against rust and corrosion
- Gears are Chrome Molybdenum steel
- Equipped with anchor plate to avoid over-lifting / lowering
- Positive ratchet, screw and disc are completely enclosed to protect the brake mechanism
- Load sheave is designed for long wear with uniform pockets to give uniform chain contact and avoid abrasion
- Chain is strong and well finished for safe, jerk-free operation
- Chain is heat treated, low wear hoisting chain, surpassing ISO T-class
- Top and bottom safety hooks are standard
- Drop forged hooks are designed to bend slowly to warn of overloads
- Tested to 150% of rated capacity
- Meets OSHA and ANSI B30.16 standards (certificate included)
- Less distance between hooks makes it ideal for hoisting in close quarters and low ceiling applications
- Please refer to page 30, General Information on JET Chain Hoists and Pullers for important directions regarding this product



Articulating top hook ensures proper positioning – Check and Compare!



Special design ensures that chain pin is protected for safety and longer life – Check and Compare!



Grade 90 Chain

Top and bottom hooks swivel 360° reducing load spin – Check and Compare!

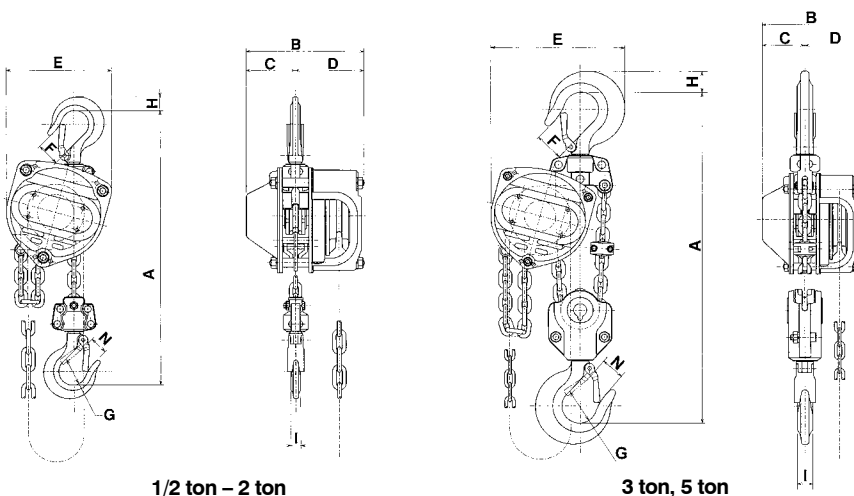


PROD. NO.	MOD. NO.	Rated Lifting Capacity (Tons)	Rated Lifting Capacity (lbs)	Standard Lift	Head Room	Number of Falls	Load Chain Diameter	Force Required to Lift Capacity (lbs)	Net Weight (lbs)	Ship Weight (lbs)
101202	L90-0502	1/2	1,100	10'	10-3/4"	1	3/16"	59	22	23
101204	L90-0504	1/2	1,100	15'	10-3/4"	1	3/16"	59	28	29
101206	L90-0506	1/2	1,100	20'	10-3/4"	1	3/16"	59	31	32
101212	L90-1002	1	2,200	10'	11-3/4"	1	1/4"	69	27	29
101214	L90-1004	1	2,200	15'	11-3/4"	1	1/4"	69	34	35
101216	L90-1006	1	2,200	20'	11-3/4"	1	1/4"	69	40	42
101222	L90-1502	1-1/2	3,520	10'	13-1/4"	1	9/32"	91	35	37
101224	L90-1504	1-1/2	3,520	15'	13-1/4"	1	9/32"	91	42	44
101226	L90-1506	1-1/2	3,520	20'	13-1/4"	1	9/32"	91	50	52
101232	L90-2002	2	4,400	10'	14-3/4"	1	5/16"	88	46	48
101234	L90-2004	2	4,400	15'	14-3/4"	1	5/16"	88	51	54
101236	L90-2006	2	4,400	20'	14-3/4"	1	5/16"	88	60	63
101252	L90-3002	3	6,820	10'	20-7/8"	2	9/32"	104	53	56
101254	L90-3004	3	6,820	15'	20-7/8"	2	9/32"	104	57	62
101256	L90-3006	3	6,820	20'	20-7/8"	2	9/32"	104	72	75
101262	L90-5002	5	11,000	10'	24-1/2"	2	23/64"	106	87	97
101264	L90-5004	5	11,000	15'	24-1/2"	2	23/64"	106	96	100
101266	L90-5006	5	11,000	20'	24-1/2"	2	23/64"	106	118	132
101283	L90-10003	10	22,000	11-1/2'	30-1/2"	4	23/64"	116	181	209
101292	L90-15003	15	30,000	11-1/2"	38-7/8"	6	23/64"	88	326	370

Custom Lifts are available in various lengths. Ask your local JET distributor for details!

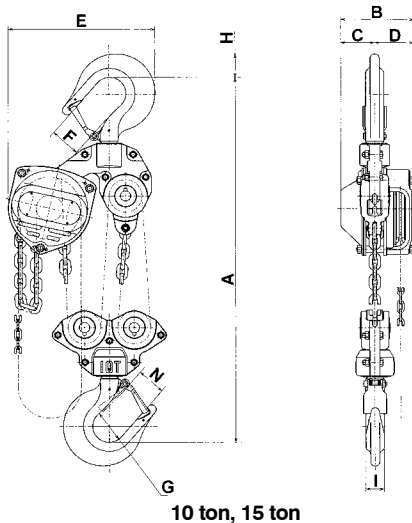
CHAIN HOISTS

L-90 / L95 SERIES



1/2 ton – 2 ton

3 ton, 5 ton



10 ton, 15 ton



Dimensions in Inches

Model (Ton)	Length of Hand Chain Pulled to Lift Load 1 Ft.	A Min.	B	C	D	E	F	G	H	I	N
1/2	29'	10-3/4	6-1/8	2-9/16	3-9/16	5-1/2	1-1/8	1-7/16	21/32	1/2	1-1/32
1	50'	11-3/4	6-5/16	2-11/16	3-5/8	6-5/16	1-5/16	1-11/16	7/8	5/8	1-3/16
1-1/2	60'	13-1/4	6-5/8	2-15/16	3-11/16	7-3/16	1-5/16	1-11/16	7/8	5/8	1-3/16
2	77'	14-3/4	7-3/16	3-1/4	3-15/16	8-7/16	1-11/16	2-3/32	1-1/8	7/8	1-1/2
3	120'	20-7/8	6-5/8	2-15/16	3-11/16	9-1/16	1-15/16	2-3/8	1-7/16	1-1/16	1-3/4
5	190'	24-1/2	7-1/2	3-9/16	3-15/16	11-1/16	2-9/32	2-3/4	1-13/16	1-11/32	2-1/16
10	385'	30-1/2	7-1/2	3-9/16	3-15/16	15-1/8	2-15/16	3-3/8	2-15/16	1-31/32	2-3/4
15	556'	38-7/8	9-1/4	3-9/16	5-11/16	19-3/8	3-13/16	4	3-7/64	2-7/16	3-3/16

CHAIN HOISTS

L-95 SERIES HEAVY DUTY (With Automatic Overload Protection)

- Series L-95 is equipped with an automatic overload protection device as standard equipment
- Overload protection is pre-set at 120% of rated capacity
- Light weight steel construction
- Housing, sheaves and frame are all steel
- Handwheel cover prevents dirt and dust from hampering operation
- A rolled edge on the cover acts as a chain guide and allows smooth operation even when pulling the hand chain at an angle
- Electrostatic powder painted before assembly to protect against rust and corrosion
- Gears are Chrome Molybdenum steel
- Equipped with anchor plate to avoid over lifting/lowering
- Positive ratchet, screw and disc brake are completely enclosed to protect the brake mechanism
- Load sheave is designed for long wear with uniform pockets to give uniform chain contact and avoid abrasion
- Chain is strong and well finished for safe, jerk-free operation
- Chain is heat treated, low wear hoisting chain, surpassing ISO T-class
- Top and bottom safety hooks are standard
- Drop forged hooks are designed to bend slowly to warn of overloads
- Tested to 150% of rated capacity
- Meets OSHA and ANSI B30.16 standards (certificate included)
- Less distance between hooks makes it ideal for hoisting in close quarters and low ceiling applications
- Please refer to page 30, General Information on JET Chain Hoists and Pullers for important directions regarding this product
- See page 5 for specific dimensions



Articulating top hook ensures proper positioning – **Check and Compare!**



Special design ensures that chain pin is protected for safety and longer life – **Check and Compare!**



Grade 100 Chain

Top and bottom hooks swivel 360° reducing load spin – **Check and Compare!**



Automatic overload protection for maximum operator safety

PROD. NO.	MOD. NO.	Rated Lifting Capacity (Tons)	Rated Lifting Capacity (lbs)	Standard Lift	Head Room	Number of Falls	Load Chain Diameter	Force Required to Lift Capacity (lbs)	Net Weight (lbs)	Ship Weight (lbs)
101402	L95-0502	1/2	1,100	10'	10-3/4"	1	3/16"	49	22	23
101406	L95-0506	1/2	1,100	20'	10-3/4"	1	3/16"	49	31	32
101412	L95-1002	1	2,200	10'	11-3/4"	1	1/4"	56	27	29
101416	L95-1006	1	2,200	20'	11-3/4"	1	1/4"	56	40	42
101422	L95-1502	1-1/2	3,520	10'	13-1/4"	1	9/32"	75	35	37
101426	L95-1506	1-1/2	3,520	20'	13-1/4"	1	9/32"	75	50	52
101432	L95-2002	2	4,400	10'	14-3/4"	1	5-1/16"	73	46	48
101436	L95-2006	2	4,400	20'	14-3/4"	1	5-1/16"	73	60	63
101452	L95-3002	3	6,820	10'	20-7/8"	2	9/32"	77	53	56
101456	L95-3006	3	6,820	20'	20-7/8"	2	9/32"	77	72	75
101462	L95-5002	5	11,000	10'	24-1/2"	2	23/64"	77	87	97
101466	L95-5006	5	11,000	20'	24-1/2"	2	23/64"	77	118	132

See Page 5 for Corresponding Diagrams

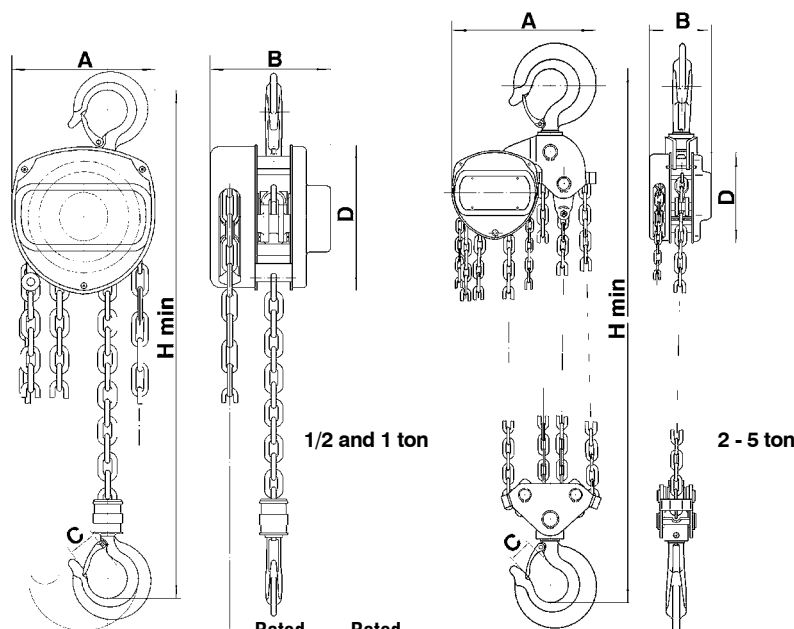
Custom Lifts are available in various lengths. Ask your local JET distributor for details!

CHAIN HOISTS

SUMO™ SCH SERIES STANDARD DUTY

- Spur gear chain hoist designed for efficiency, portability and economy
- Load tested to 150% of rated capacity
- Meets ANSI B30.16 standard (Certificate included)
- ISO certified factory
- Rugged steel housing protects gears and bearings from damage
- Equipped with a mechanical brake for load control in lifting and spotting
- Completely repairable, parts and service readily available
- High visibility safety yellow protective coating
- For safety, hooks are forged and designed to bend slowly warning the operator of overloads
- Available in 1/2 to 5 ton capacities

Articulating top hook ensures proper positioning – Check and Compare!



PROD. NO.	MOD. NO.	Rated Lifting Capacity (Tons)	Rated Lifting Capacity (lbs)	Standard Lift	Head Room	Number of Falls	Load Chain Diameter	Force Required to Lift Capacity (lbs)	Net Weight (lbs)
E06913	SCH052	1/2	1,100	10'	10"	1	6.0mm	49	17-1/2
E06915	SCH054	1/2	1,100	20'	10"	1	6.0mm	49	28-3/4
E06918	SCH102	1	2,200	10'	12"	1	6.0mm	68	22
E06920	SCH104	1	2,200	20'	12"	1	6.0mm	68	33-1/4
E06928	SCH202	2	4,400	10'	17-1/2"	2	6.0mm	70	31
E06930	SCH204	2	4,400	20'	17-1/2"	2	6.0mm	70	47-1/4
E06933	SCH302	3	6,600	10'	19-1/8"	2	8.0mm	77	53
E06935	SCH304	3	6,600	20'	19-1/8"	2	8.0mm	77	77-1/4
E06938	SCH502	5	11,000	10'	24-1/4"	2	10.0mm	86	79
E06940	SCH504	5	11,000	20'	24-1/4"	2	10.0mm	86	114

Top and bottom hooks swivel 360° reducing load spin – Check and Compare!

Dimensions in Inches

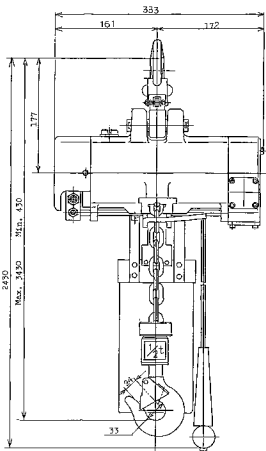
Model (Ton)	Length of Hand Chain Pulled to Lift Load	A	B	C	D	H Min.
1/2	27"	5	4-3/8	15/16	5-1/4	10
1	40"	5-3/4	5	1-5/32	6-1/2	12
2	81"	5-3/4	5	1-5/16	6-1/2	17-1/2
3	104"	7-1/4	5-1/2	1-1/2	7-1/2	19-1/8
5	158"	8-1/2	6-1/2	1-7/8	8-3/4	24-1/4



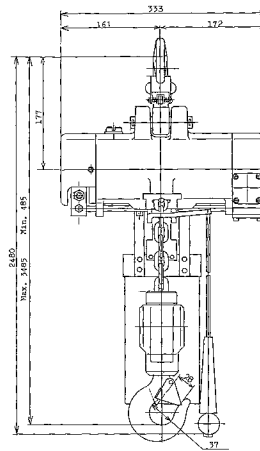
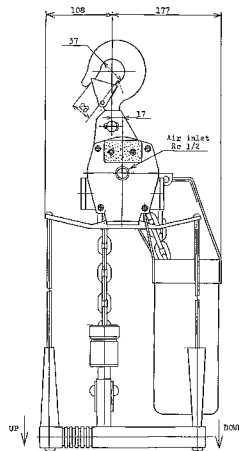
AIR HOISTS

- Compact and light weight
- Especially useful where conditions prohibit the use of electrical hoists, where corrosive elements or humidity may damage electrical wiring
- Useful where high speed handling and precise control is essential
- Speed control is easily adjusted to obtain desired speed for inching operations and allows accurate control of lifting speeds
- Air hose inlets are swivel mounted to minimize chance of air hose damage. Line oiler strainers are an integral part of the inlet
- The hoist is equipped with an automatic brake which is tail mounted for easy inspection and adjustment
- A stopper is provided to prevent damage to the hoist
- High wear resistant vanes are designed so that the rotor runs positively and smoothly
- Top and bottom hooks are equipped with safety latches
- Each hoist includes a chain bucket
- All hoists come standard with pull cord control
- Pendant control can be retrofitted in the field
- Please refer to page 30, General Information on JET Chain Hoists and Pullers for important directions regarding this product

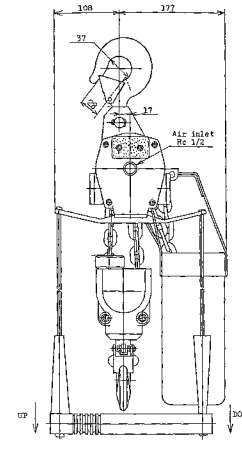
PROD. NO.	MOD. NO.	Operation	Rated Capacity (Tons)	Number of Falls	Air Pressure (PSI)	Lift Speed (ft/min)	Air Consumption (CFM)	Lift	Air Inlet (Pipe Tap)	Net Weight (lbs)
109042	AH50C-10	Pull Cord	1/2	1	85	39	71	10'	1/2"	51
					70	33	53			
					57	26	36			
109044	AH100C-10	Pull Cord	1	2	85	20	71	10'	1/2"	64
					70	16	53			
					57	13	36			



1/2 Ton



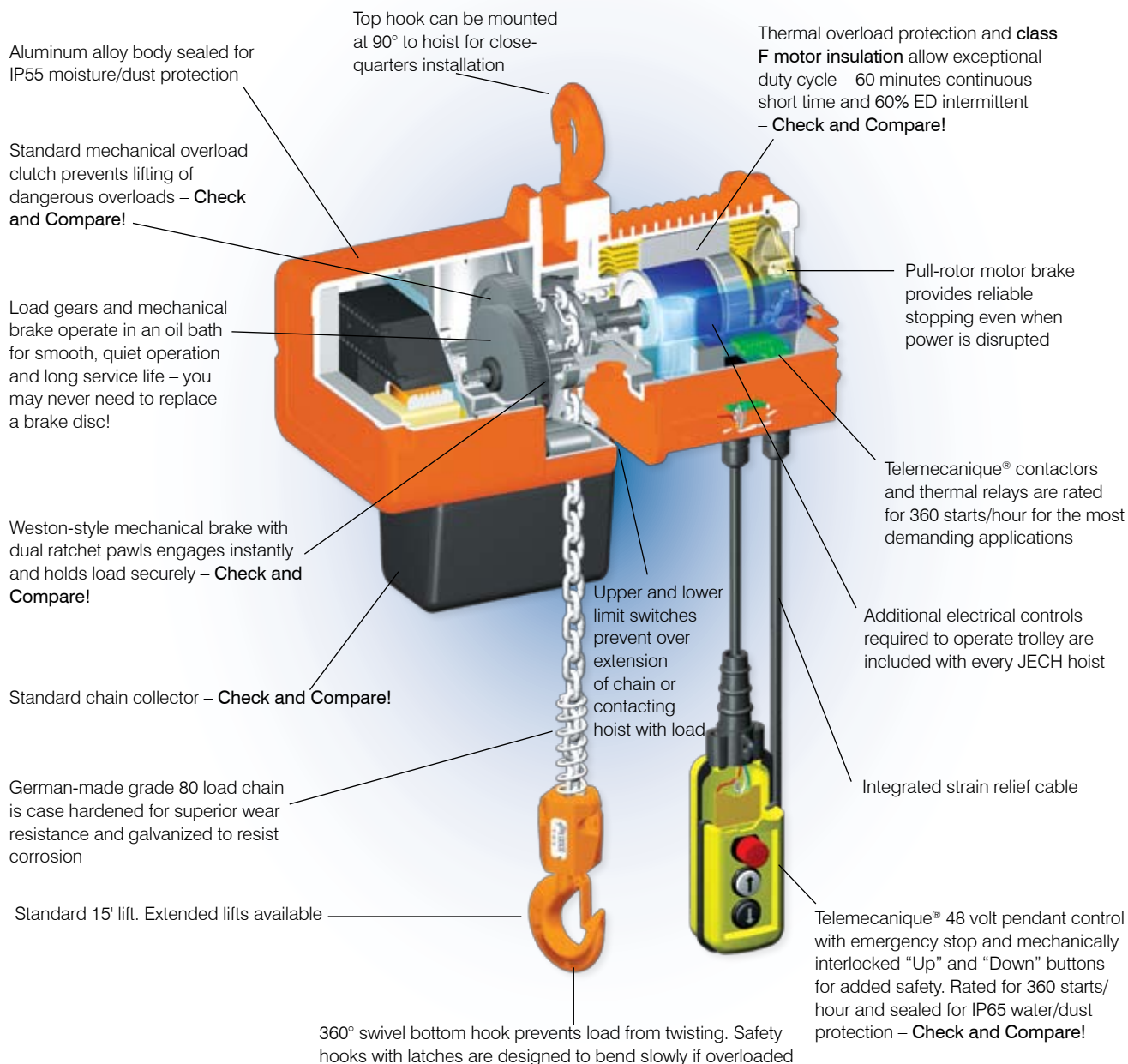
1 Ton



PROD. NO.	MOD. NO.	Length	Description	Net Weight (lbs)	Ship Weight (lbs)
109047	AHP-10	6"	Pendant Control, fits models AH50-10, AH100C-10	5	6

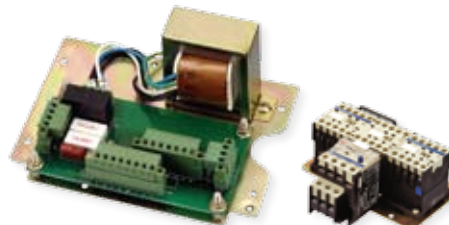
ELECTRIC HOISTS

JECH SERIES HEAVY DUTY ELECTRIC HOISTS



Dual Braking System

Dry disc pull rotor motor brake and Weston style dual pawl mechanical brake



Electrical Equipment

Telemecanique® contactors, relays, and pendant controls rated for 360 starts per hour for continuous use and frequent inching operations

**JET
EXCLUSIVE**



ELECTRIC HOISTS

JECH SERIES HEAVY DUTY ELECTRIC HOISTS

- 3 phase, available in 230 volt and 575 volt models in 1 and 2 ton capacities
- Low headroom design – optional load suspension eye reduces headroom even more
- Sealed aluminum body is lightweight, compact, and meets IP55 water / dust protection standards
- Overload protection is standard
- German-made galvanized load chain for superior corrosion resistance
- Pull-rotor motor brake provides reliable stopping even when power is disrupted
- Secondary mechanical load brake engages instantly when operation is stopped and holds load safely
- Dual braking systems allow use in the most demanding applications, including foundry work
- Heavy duty Class F thermal protection allows outstanding 60% ED duty cycle
- Short time continuous duty rating of 60 minutes
- Contactors and pendant control rated at 360 starts per hour for the most demanding applications
- Helical gears running in constant oil bath provide quiet operation, long duty cycle, and long life
- Upper and lower limit switches protect hoist from damage
- 48 volt pendant features up, down, and emergency stop buttons and is sealed for IP65 water / dust protection
- Top and bottom hook safety latches standard
- Bottom hook swivels 360°
- Can be mounted along beam length or at right angle, allowing improved clearance near walls or ends of beams
- Easy access to electrical components
- CSA approved
- Meets A.N.S.I. B30.16 standards
- Chain container standard
- Custom lifts available
- Easily converted for use with JET JMT Series electric trolleys

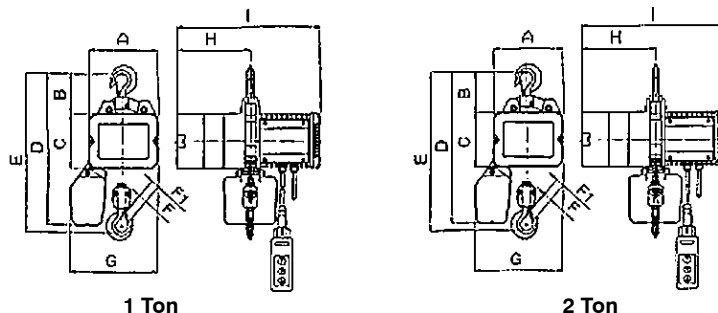
HEAVY DUTY

PROD. NO.	MOD. NO.	Rated Capacity (Tons)	Voltage	Standard Lift (in)	Number of Falls	Lift Speed (ft/min)	Headroom (in)	Motor Power (HP)	Load Chain (mm)	Net Weight (lbs)	Amps
107413	JECH-1002	1	230	15	1	20	22-1/4	2	7.1	120	5.0
107414	JECH-2002	2	230	15	2	10	26-1/4	2	7.1	126	5.0
107463	JECH-1005	1	575	15	1	20	22-1/4	2	7.1	120	2.1
107464	JECH-2005	2	575	15	2	10	26-1/4	2	7.1	126	2.1

Dimensions in Inches

MOD NO.	A	B	C	D	E	F	F1	G	H	I
JECH-100	10-1/4	5-11/16	7-11/16	21-7/16	22-1/4	1-5/16	1-3/16	13	11	21-1/4
JECH-200	10-1/4	6-5/16	7-11/16	26	26-1/4	1-5/8	1-1/2	13	11	21-1/4

WARNING: Hoist is shipped dry. Before first use, oil reservoir must be filled with a suitable gear oil. Examples are ESSO Spartan EP220, SHELL Omala 220, PETROCANADA Enduratex EP 220, 76 Triton Syngear 220 or equivalents. If these grades cannot be purchased locally, a gear oil of 80W90 grade with Extreme Pressure additives is acceptable. For additional information, contact your local lubricants supplier.



1 Ton

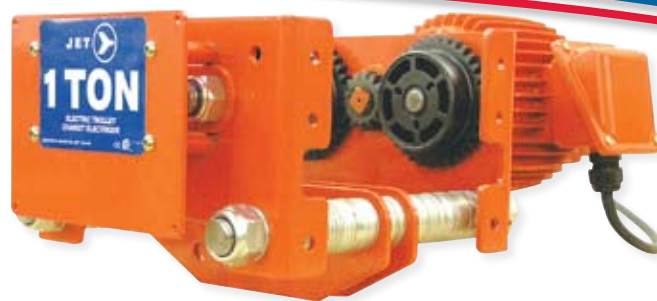
2 Ton

Custom Lifts are available in various lengths. Ask your local JET distributor for details!

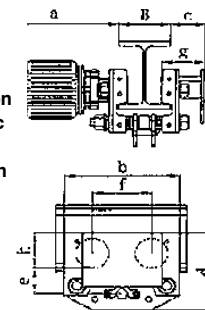
ELECTRIC TROLLEYS

JMT SERIES HEAVY DUTY MOTORIZED TROLLEYS

- 3 phase, available in 230 volt and 575 volt models in 1 and 2 ton capacities
- Rugged steel side plates
- Dual suspension bolts for added security
- Fits standard 8" I-beam, H and S-beams
- Conversion kit available for use on 12" H and S-beams
- Anti-fall design holds load on beam in the event of wheel failure
- Wrap around design bumper plates protect wheels in the event of contact with other trolleys on the beam
- Heavy duty Class F thermal protection allows outstanding 60% ED duty cycle
- Short time continuous duty rating of 60 minutes
- Motor and electrical components sealed for IP55 water / dust protection
- CSA approved
- Meets A.N.S.I. B30.11 standards
- 5 button pendant control operates both trolley and hoist
- 48 volt pendant features up, down, left, right, and emergency stop buttons and is sealed for IP65 water / dust protection
- Simple plug in wiring can not be connected incorrectly
- Can be lug or hook mounted with JET JECH Series electric hoists



WARNING: JMT Series Trolleys are designed for use ONLY with JECH Series hoists. This limitation includes other JET brand electric hoists. Attempts to use these trolleys with ANY hoist other than the JECH Series may result in damage to one or both units and will void warranty.



PROD. NO.	MOD. NO.	Rated Capacity (Tons)	Hertz (Hz)	Voltage	Flange Width (in)	Extension Flange (in)	Travel Speed (ft / min)	Headroom (in)	Minimum Curve Radius (in)	Net Weight (lbs)	Amps
120722	JMT-1002	1	60	230	2 - 8	11-1/2	40	2-3/4	49	68	2.2
120724	JMT-2002	2	60	230	3-1/2 - 8	11	40	2-3/4	49	73	2.2
120772	JMT-1005	1	60	575	2 - 8	11-1/2	40	2-3/4	49	68	1.1
120774	JMT-2005	2	60	575	3-1/2 - 8	11	40	2-3/4	49	73	1.1

Dimensions in Inches

MOD NO.	A (in)	b	B	c	d	e	f	g	h
JMT-100X	12-13/32	11-7/64	2 - 8 *	TBA	8-1/4	2-3/4	5-11/16	9-3/8	3-3/4
JMT-200X	12-13/32	11-11/32	3-1/2 - 8 *	TBA	8-1/4	2-3/4	5-11/16	9-3/8	3-3/4

CHAIN COLLECTORS

PROD. NO.	Maximum Lift 1 Ton	Maximum Lift 2 Ton
107440	20'	-
107441	50'	25'
107442	80'	40'
107443	115'	57'



PENDANT CONTROLS

- Heavy duty Telemecanique® pendant controls feature emergency Stop / Start button and are sealed for IP65 environmental protection

PROD. NO.	Type	Fits
107491	3 Button	JECH Hoists
120796	5 Button	JMT Trolleys



SUSPENSION EYES

- Reduces overall headroom when used with manual trolleys

PROD. NO.	Capacity	Fits
107446	1 Ton	JECH-100X
107447	2 Ton	JECH-200X



TROLLEY EXTENSION KITS

- Converts standard trolleys for use on up to 12" wide beams
- Retain spacer washers from standard unit

PROD. NO.	Capacity	Extended Flange Width	Fits
120742	1 Ton	11-1/2"	JMT-100X
120747	2 Ton	11"	JMT-200X



BULK LOAD CHAIN

- Galvanized for corrosion resistance

PROD. NO.	Type	Fits
105360	7.1mm	JECH Hoists Only



Suspension hook with latch is standard
Suspension eye also available as an option for making headroom shorter



ELECTRIC HOISTS



FA SERIES, SINGLE SPEED

- 3 phase or 1 phase models (specify when ordering)
- Reverse phase protection on all 3 phase models
- Upper and lower limit switches
- 1/2 ton through 5 ton models available
- 2 station push button control unit with plug-in cord (24v)
- Modular construction on motor, gear and brake assemblies
- Safety hooks, designed to bend slowly to warn of overloads
- Chain containers included
- Quick connect voltage changeover
- Reliable electro-magnetic DC brake
- Single phase hoists are equipped with automatic overload protection device as standard equipment
- Overload protection is pre-set at 110% of rated capacity
- Chain is heat treated, low wear hoisting chain, surpassing ISO T-class
- Meets OSHA, ANSI B30.16 and CSA standards
- Please refer to page 30, General Information on JET Chain Hoists and Pullers for important directions regarding this product

ELECTRIC HOISTS (Single Phase)

- Single speed push-button 13' control cord, safety hooks and chain container
- Note:** Single phase models equipped with automatic overload protection

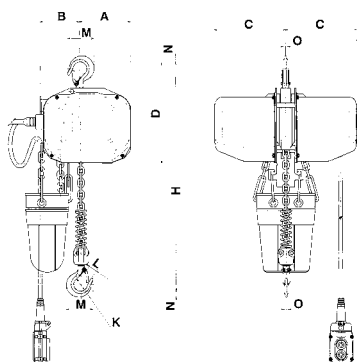
ELECTRIC HOISTS (Three Phase)

- Single speed push-button 13' control cord, safety hooks and chain container

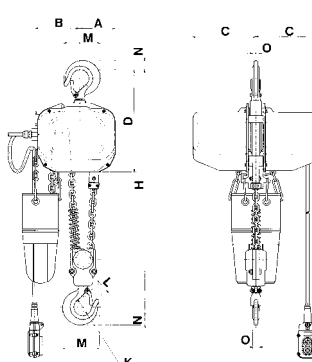


PROD. NO.	MOD. NO.	Rated Capacity (Tons)	Rated Capacity (lbs)	Standard Lift	Standard Chain Bucket	Hoisting Speed FPM	Voltage	Power Source	Head Room	Motor HP	Duty Rating in Minutes	Power Cable Length	No. of Falls	Net Weight (lbs)	Ship Weight (lbs)	Amps
107202	FA1-0.5S	1/2	1,100	15'	#2	14	115 / 230V	1PH	18.9"	0.6	25	16'	1	102	106	9.6 / 5.3
107203	FA1-1S	1	2,200	15'	#2	10	115 / 230V	1PH	22.44"	1.2	25	16'	1	143	147	13 / 10.5
107204	FA1-2S	2	4,400	15'	#3	5	115 / 230V	1PH	27.95"	1.2	25	16'	2	166	175	13 / 10.5
107205	FA1-3S	3	6,600	15'	#5	3.3	115 / 230V	1PH	31.89"	1.2	25	16'	3	203	216	13 / 10.5
107206	FA1-5S	5	11,000	15'	#5	2	115 / 230V	1PH	35.43"	1.2	25	16'	5	268	283	13 / 10.5
107212	FA-0.5S	1/2	1,100	15'	#2	28	230 / 460V	3PH	18.9"	1.2	30	16'	1	93	98	2.9 / 1.7
107213	FA-1S	1	2,200	15'	#2	24.2	230 / 460V	3PH	22.44"	2.1	30	16'	1	134	138	5.8 / 3.2
107214	FA-2S	2	4,400	15'	#3	12.1	230 / 460V	3PH	27.95"	2.1	30	16'	2	153	157	5.8 / 3.2
107215	FA-3S	3	6,600	15'	#5	8	230 / 460V	3PH	31.89"	2.1	30	16'	3	196	205	5.8 / 3.2
107216	FA-5S	5	11,000	15'	#5	4.8	230 / 460V	3PH	35.43"	2.1	30	16'	5	262	278	5.8 / 3.2
107262	FA-0.5S	1/2	1,100	15'	#2	28	575V	3PH	18.9"	1.2	30	16'	1	93	98	1.4
107263	FA-1S	1	2,200	15'	#2	24.2	575V	3PH	22.44"	2.1	30	16'	1	134	138	5.8
107264	FA-2S	2	4,400	15'	#3	12.1	575V	3PH	27.95"	2.1	30	16'	2	153	157	5.8
107265	FA-3S	3	6,600	15'	#5	8	575V	3PH	31.89"	2.1	30	16'	3	196	205	2.6
107266	FA-5S	5	11,000	15'	#5	4.8	575V	3PH	35.43"	2.1	30	16'	5	262	278	2.6

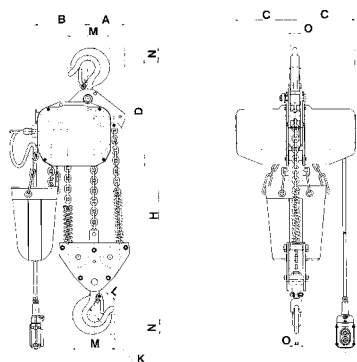
ELECTRIC HOISTS



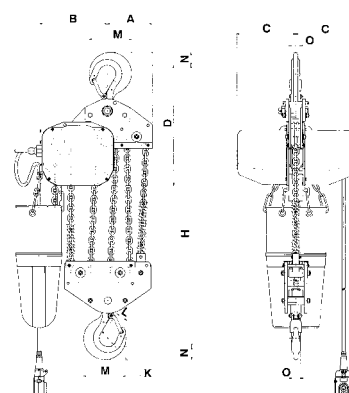
1/2 Ton and 1 Ton FA and FA1



2 Ton FA and FA1



3 Ton FA and FA1



5 Ton FA and FA1



MOD. NO.	Dimensions in Inches									
	A	B	C	D	H	K	L	M	N	O
FA1-0.5S & FA-0.5S	6.34	4.88	8.82	12.24	18.90	1.42	1.02	3.39	.94	.75
FA1-1S & FA-1S	6.69	5.04	9.41	13.72	22.44	1.69	1.30	4.21	1.22	.91
FA1-2S & FA-2S	5.24	6.50	9.41	14.65	27.95	2.09	1.65	5.67	1.73	1.18
FA1-3S & FA-3S	5.83	8.19	9.41	16.81	31.89	2.36	1.97	6.50	1.93	1.38
FA1-5S & FA-5S	7.20	10.75	9.41	19.21	35.43	2.76	2.36	7.44	2.24	1.65

ELECTRIC HOIST ACCESSORIES – CHAIN BUCKETS

• Standard lift hoists are equipped with appropriate bucket. For extended lift hoists, multiply the feet of lift desired, by the number of falls, to obtain total chain length. Choose appropriate bucket from the list below.

PROD. NO.	MOD. NO.	Maximum Chain Length	Maximum Chain Length	Number of Falls
		1/2 Ton	1-5 Ton	
PEL-21-1	#1	20'	12'	1/2 ton – 1
PEL-21-2	#2	30'	20'	1 ton – 1
PEL-21-3	#3	50'	40'	2 ton – 2
PEL-21-4	#4	70'	60'	3 ton – 3
PEL-21-5	#5	120'	110'	5 ton – 5
PEL-21-6	#6	–	180'	–



HAND CABLE PULLERS



111225



111228

- One piece heavy duty body frame is zinc plated and polished to resist corrosion
- Hanging bracket swivel and hook attached to double reinforced yoke for maximum strength – **Check and Compare!**
- Hanging bracket swivel is drop forged and plated for maximum strength, swivels 360° – **Check and Compare!**
- Drop forged steel hooks complete with safety latches
- Automatic let-down safety latch
- Heavy duty steel safety shield
- Easy to reach cable release works one notch at a time for maximum safety

HEAVY DUTY 2 TON

111225 (JCPP-200)

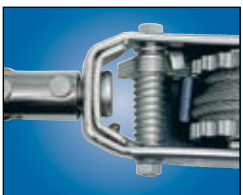
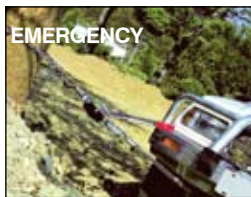
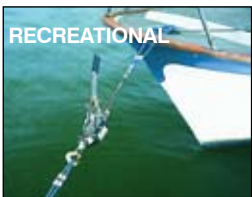
- Heavy duty solid steel ratchet pawl and holding dog
- 14" heavy polished steel ratchet arm with ergonomic handle cover for smooth, non-binding operation
- Heavy duty aircraft cable, 12' length, 3/16" diameter
- Pulling capacity 2 tons, lifting capacity 1 ton

SUPER DUTY 4 TON

111228 (JCPP-400D)

- Two heavy duty solid steel ratchet pawls and holding dogs for maximum strength and safety
- 18" heavy polished steel ratchet arm with ergonomic handle cover for smooth, non-binding operation
- Heavy duty aircraft cable, 10' length, 1/4" diameter
- Pulling capacity 4 tons, lifting capacity 2 ton

PROD. NO.	MOD. NO.	Rated Pulling Capacity (Tons)	Rated Lifting Capacity (Tons)	Number of Pawls	Number of Hooks	Maximum Cable Length	Weight (lbs)	Package Quantity
111225	JCPP-200	2	1	1	2	5' @ 2 tons	8.1	6
111228	JCPP-400D	4	2	2	3	10' @ 2 tons 5' @ 4 tons	15.7	6



Double reinforced yoke for strength and safety



Drop forged and plated hanging bracket swivel for strength and safety



Solid steel ratcheting pawl and holding dog



Drop forged steel hooks complete with safety latches



Ergonomic handles

LEVER CHAIN PULLERS

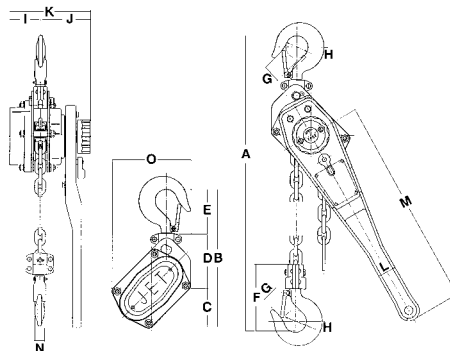
#10 - 2 SERIES LEVER PULLERS SUPER HEAVY DUTY

- High tensile cast steel housing and handles
- Simple design makes routine inspection or maintenance fast and easy
- Direction of pull controlled with one flip of the self-locking thumb lever
- Non-asbestos brake discs use a high quality low abrasion aramid fibre material for a safer and healthier environment
- Free wheeling feature with automatic return in the tool. The puller will return to the hoisting mode automatically when a load is applied to the tool
- High grade low-wear chain is strong and smooth finished to prevent snagging or jamming
- Gauge included to check for chain elongation and hook stretch
- Top and bottom safety hooks are standard, and are designed to bend slowly to warn of overloads
- Each unit is tested to 150% of rated capacity
- Meets A.N.S.I. B30.21 Standards (Certificate included)
- Please refer to page 30, General Information on JET Chain Hoists and Pullers for important directions regarding this product

STANDARD 5' LIFT WITH SAFETY HOOKS

**JET
EXCLUSIVE**

HEAVY DUTY



3/4 ton



Handle swivels 360° so operator can be positioned above puller for safety and convenience – Check and Compare!

Cast steel body and handle for ultimate durability – Check and Compare!

1-1/2 ton



Articulating top hook ensures proper positioning – Check and Compare!



Top and bottom hooks swivel 360° reducing load spin – Check and Compare!



Special design ensures chain pin is protected for safety and longer life – Check and Compare!



Offset handle protects operator – Check and Compare!

PROD. NO.	MOD. NO.	Body Type	Rated Capacity (Tons)	Minimum Distance Between Hooks	Distance per Handle Pull	Standard Lift	Force Required to Lift Capacity (lbs)	Lever Length	Net Weight (lbs)	Ship Weight (lbs)
110241	#10-2	Cast Steel	3/4	12-3/8"	1-1/16"	5'	66	10-1/2"	16	17
110242	#10-2	Cast Steel	1-1/2	14-15/16"	1-1/8"	5'	66	16-1/16"	25	27
110243	#10-2	Cast Steel	3	18-7/8"	3/4"	5'	84	16-1/16"	41	44
110244*	#10-2	Cast Steel	6	23-7/8"	3/8"	5'	84	16-1/16"	66	72

* 6 Ton model has 2 falls of chain

Dimensions in Inches

PROD. NO.	Capacity (Tons)	A	B	C	D	E	F	G	H	I	J	K	L	M	N	O
110241	3/4	12-3/8	8-9/16	2-15/32	3-1/2	2-19/32	3-63/64	61/64	1-3/8	2-3/16	4-15/64	6-27/64	1-3/16	10-1/2	37/64	4-59/64
110242	1-1/2	14-15/16	10-21/64	2-61/64	4-3/32	3-17/64	5-3/64	1-19/64	1-21/32	2-41/64	4-7/32	6-27/32	1-3/8	16-1/16	25/32	5-29/32
110243	3	18-7/8	12-3/4	3-11/16	5-3/16	3-7/8	6-5/16	1-19/32	1-31/32	3-17/32	4-1/2	8-1/32	1-3/8	16-1/16	1	7-3/8
110244	6	23-7/8	15-3/32	3-11/16	6-15/32	4-15/16	10-21/32	1-27/32	2-17/32	3-17/32	4-1/2	8-1/32	1-3/8	16-1/16	1-3/8	10-21/32

Custom Lifts are available in any length desired. Ask your local JET distributor for details!

LEVER CHAIN PULLERS



HEAVY DUTY



MINI-MITE™ SERIES LEVER PULLERS HEAVY DUTY

- Light weight industrial puller
- Electrostatic powder painted before assembly to protect against rust and corrosion
- Reinforced gear cover protects pivotal gear block
- Extra strong handle
- Double action ratchet works even without a load
- Quick release lever for free wheeling operation
- Super hardened chain
- No special tools needed for routine maintenance
- Tested to 150% of rated capacity
- Meets ANSI B30.21 specifications (Certificate included)
- Please refer to page 30, General Information on JET Chain Hoists and Pullers for important directions regarding this product



Special design ensures chain pin is protected for safety and longer life

SUMO™ SLP SERIES LEVER PULLERS STANDARD DUTY

- Light weight design combines versatility with economy
- Load tested to 150% of rated capacity
- Meets ANSI B30.21 specifications (Certificate included)
- Special heavy-duty, long-lasting brake pads – last up to five times longer than competitive brands
- Stamped steel housing protects gears and brake mechanism from damage
- Galvanized chain, hub, lever switch and inside plates – **Check and Compare!**
- Completely repairable with easy access for maintenance
- Parts and service are readily available
- Two coats of high visibility safety yellow protective coating
- Short lever length allows for easier access into confined work areas
- High quality load chain meets all international safety standards
- All hooks have safety latches as an additional safety feature and are designed to bend slowly rather than fracture under overload conditions



All units have articulating top hooks for proper positioning – **Check and Compare!**

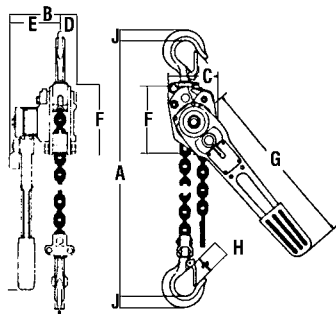


All units feature top and bottom hooks that swivel 360° reducing load spin – **Check and Compare!**

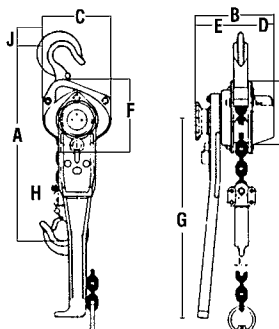


All units feature handles that swivel 360° so operator can be positioned above puller for safety and convenience – **Check and Compare!**

LEVER CHAIN PULLERS



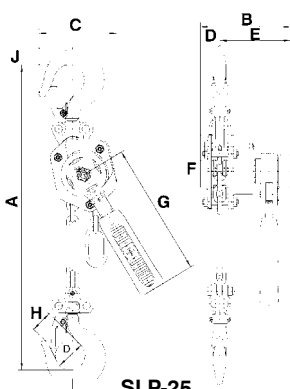
VP-25 – VP-50



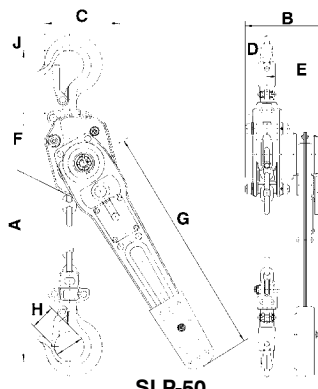
MM-75 – MM-300



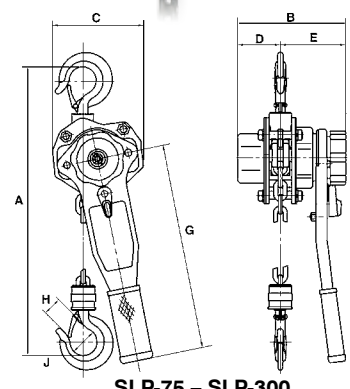
MM-300



SLP-25



SLP-50



SLP-75 – SLP-300

PROD. NO.	MOD. NO.	Body Type	Rated Capacity (Tons)	Distance per Handle Pull	Minimum Dist. Between Hooks	Standard Lift	Force Required to Lift Capacity (lbs)	Lever Length	Net Weight (lbs)	Ship Weight (lbs)
110903	VP-25	Steel	1/4	2"	9-1/4"	3', 3"	61	6-1/8"	4-1/2	6-1/2
110904	VP-50	Steel	1/2	1-3/64"	10-1/4"	5'	75	11-1/4"	8	10
110502	MM-75	Steel	3/4	1-3/16"	9-1/2"	5'	48-1/2	10-7/8"	13-1/2	14
110503	MM-150	Steel	1-1/2	1"	13"	5'	51	16-1/8"	23-1/2	24
110504	MM-300	Steel	3	1/2"	15-3/4"	5'	75	16-1/8"	46	48
E06961	SLP-25	Steel	1/4	2"	9-5/8"	5'	66	6"	4-1/2	6-1/2
E06962	SLP-50	Steel	1/2	1-3/64"	11-3/8"	5'	81	11-1/4"	8	10
E06951	SLP-75	Steel	3/4	1"	12-19/32"	5'	39	11"	16-1/2	18
E06952	SLP-150	Steel	1-1/2	3/4"	14-11/64"	5'	48	16-9/64"	24	25
E06953	SLP-300	Steel	3	11/16"	17-33/64"	5'	70	16-9/64"	40	42

Dimensions in Inches – Refer to Drawings Above

MOD. NO.	A	B	C	D	E	F	G	H	J
VP-25	9-1/4	3-5/8	2-1/4	7/8	2-3/4	3-1/4	6-1/8	15/16	3/4
VP-50	10-7/16	4-5/16	3	1	3-1/4	4-7/16	11-3/16	1-3/16	3/4
MM-75	9-1/2	5-7/8	4-7/8	2-3/8	3-1/2	4-7/8	10-1/8	1-3/16	7/8
MM-150	13	6-3/4	5-5/8	2-5/8	3-5/8	5-7/8	16-1/8	1-1/2	1-1/8
MM-300	15-3/4	8-1/8	7-1/4	3-1/2	4-1/2	7-1/4	16-1/8	1-11/16	1-5/8
SLP-25	9-5/8	3-5/8	2-1/4	7/8	2-3/4	3-1/4	6	15/16	3/4
SLP-50	11-3/8	4-5/16	3	1	3-1/4	4-7/16	11-1/4	13/16	3/4
SLP-75	11-27/32	6-9/64	5-3/16	2-7/16	3-11/16	5-5/64	11	7/8	25/32
SLP-150	13-11/32	6-15/16	6-3/8	2-7/8	4-3/64	5-15/16	16-9/64	1-3/32	15/16
SLP-300	17-33/64	7-15/16	7-9/32	3-17/32	4-13/32	7-15/16	16-9/64	1-21/64	1-3/8

Custom Lifts are available in various lengths. Ask your local JET distributor for details!

GRIP PULLERS

SUMO™ SERIES WIRE ROPE PULLING HOISTS

- Compact high strength steel housing
- Light weight, simple and safe to operate
- May be used in any position to lift, pull, lower, or stretch heavy loads
- The rope clamp system is easily disengaged with a lever, allowing smooth installation of the wire rope
- Overload protection is built-in with a shearing pin arrangement in the forward lever, which will shear when overloaded. The broken pins can be replaced without removing the load and spare shear pins are conveniently located in the rubber sleeve of the telescopic handle for SGP-75A and in the carrying handle for the SGP-150A and SGP-300A
- The design enables wire rope to be fed through 2 sets of wear resistant interlocking jaws by a single operating lever
- The SUMO Wire Rope Pulling Hoist has a parallel clamping system, which has a large surface contact area, providing an evenly distributed grip at a lower force that results in less rope wear and maximum safety. The system offers a longer rope advance and requires less handle pulling effort, thus increasing operator efficiency
- All SUMO Wire Rope Pulling Hoists are tested and have individual serial numbers for easy traceability to a test certificate (included)
- Uses standard ASA and IWRC wire rope (see page 19)



111136



111137



111138

PROD. NO.	MOD. NO.	Rated Lifting Capacity (Tons)	Rated Lifting Capacity (lbs)	Rated Pulling Capacity (Tons)	Rated Pulling Capacity (lbs)	Operating Rope		Telescopic Handle Length	Wire Rope Diameter	Overall Size L x W x H	Net Weight	
						Advance per Full Stroke Cycle	Effort at Rated Load (lbs)				without Wire Rope (lbs)	Ship Weight (lbs)
111136	SGP-75A	3/4	1,760	1.3	2,860	2.36"	64	29"	5/16"	16-3/4" x 2-1/2" x 9"	16	18
111137	SGP-150A	1-1/2	3,520	2.6	5,720	2.36"	93	44"	7/16"	21-1/2" x 3-3/4" x 10-1/4"	35	40
111138	SGP-300A	3	7,040	5.2	11,440	1.57"	99	44"	5/8"	26" x 4-1/2" x 12-1/2"	62	67

Longer wire rope length and large variety of accessories available upon request. See page 19 for standard wire rope cables and specifications.

GRIP PULLERS

JET WIRE ROPE PULLING HOISTS

- May be used in any position to lift, pull, lower or stretch heavy loads
- Operated manually by engaging clutch and working the handle
- Uses standard ASA and IWRC wire rope
- Additional wire rope may be used with pulley blocks
- Shear pins in the handle will break under severe overload
- Extra pins are provided and are easily installed
- Safety latches are standard
- Super strong, wear resistant jaws

HEAVY DUTY

A CANADIAN STANDARD
for over
25
YEARS



111122



111123



111124

PROD. NO.	MOD. NO.	Rated Lifting Capacity (Tons)	Rated Lifting Capacity (lbs)	Rated Pulling Capacity (Tons)	Rated Pulling Capacity (lbs)	Handle Length	Dimensions	Standard Wire Rope Diameter	Speed per Minute	Net Weight without Wire Rope (lbs)	Ship Weight (lbs)
111122	JG-75NC	3/4	1,650	1.3	2,750	29-1/2"	18-3/16" x 7-5/8" x 4-3/8"	5/16"	10 FPM	18	23
111123	JG-150NC	1-1/2	3,300	2.7	5,500	41"	23-5/8" x 9-3/8" x 5-5/8"	7/16"	10 FPM	40	45
111124	JG-300NC	3	6,600	5.5	11,000	46-1/2"	27-3/4" x 9" x 6"	5/8"	10 FPM	66	70

WIRE ROPE

- Wire rope for JET / SUMO Series grip pullers with safety hook included
- Galvanized for longer life
- Includes reel

JET EXCLUSIVE



PROD. NO.	MOD. NO.	To Fit Diameter	Length	Ship Weight (lbs)	To Fit Product No.
111152	JG-75/SGP-75A	5/16"	66'	16	111122 / 111136
111153	JG-150/SGP-150A	7/16"	66'	30	111123 / 111137
111154	JG-300/SGP-300A	5/8"	66'	46	111124 / 111138
111162	JG-75/SGP-75A	5/16"	100'	26	111122 / 111136
111163	JG-150/SGP-150A	7/16"	100'	46	111123 / 111137
111164	JG-300/SGP-300A	5/8"	100'	80	111124 / 111138

Unique reusable reel allows safe, convenient storage of wire rope

MANUAL ADJUSTABLE TROLLEYS

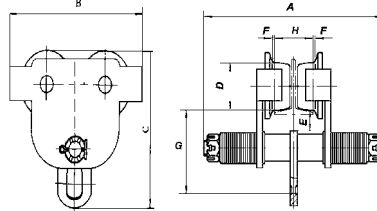


Hardened steel wheels meet ANSI B30.11 standards – Check and Compare!

All units now have standard 8" capacity bolts for use on wider beams – Check and Compare!

SBT SERIES BALL BEARING TROLLEYS

- Double sealed ball bearings for long life
- Use on straight or curved track
- Safety lugs provide insurance against falling
- Can be installed or removed at any point along the track
- Adjustable to fit various sizes of flange and I-beams
- Built-in bumper guards and drop stops
- Can be used with H, I, W and S-beams
- Specially hardened steel wheels meet ANSI B30.11 and EEC specifications (Certificate included)
- Up to 8" beam standard

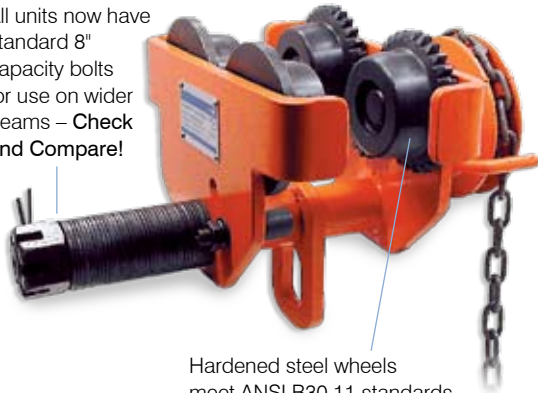


Extension kits available
See page 21

Dimensions in Inches

PROD. NO.	Rated Capacity (Tons)	Rated Capacity (lbs)	I-Beam Flange Width (H)	Minimum Radius Curve	A	B	C	D	E	F	G	Net Weight (lbs)	Ship Weight (lbs)
120251	1/2	1,100	3-1/4"-8-1/32"	36"	10-1/4	8-1/2	8-1/8	2-1/4	1-1/4	1/8	4-41/64	16	21
120252	1	2,200	4"-8-1/32"	40"	10-3/4	10-1/4	9-3/8	2-15/16	1-1/4	1/8	5-13/64	28	34
120253	1-1/2	3,300	4"-8-1/32"	40"	11-1/4	10-3/4	10	3-3/8	1-1/8	1/8	5-1/4	42	45
120254	2	4,400	4"-8-1/32"	43"	13-5/8	11-7/8	10-15/16	3-1/2	1-1/8	1/8	6-1/16	46	55
120255	3	6,600	4"-8-1/32"	51"	14-3/8	13-1/2	13-15/16	4-5/16	13/16	1/8	7-21/32	77	91
120256	5	11,000	4-1/4"-8-1/32"	55"	15-1/8	15-3/8	15-29/32	4-3/4	13/16	1/8	8-3/4	110	124
120257	10	22,000	4-5/8"-8-1/32"	67"	15-15/16	18-1/2	19-5/8	5-29/32	1-1/4	1/8	11	196	236

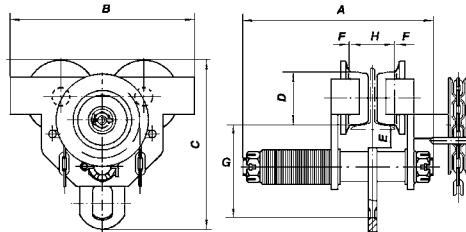
All units now have standard 8" capacity bolts for use on wider beams – Check and Compare!



Hardened steel wheels meet ANSI B30.11 standards – Check and Compare!

SGT SERIES BALL BEARING GEARED TROLLEYS

- Geared drive wheels with ball bearings
- Use on straight or curved track
- Can be installed or removed at any point along the track
- Adjustable to fit various sizes of wide flange and I-beams
- Extended length hand chain available
- Built-in bumper guards and drop stops
- Specially hardened steel wheels meet ANSI B30.11 and EEC specifications (Certificate included)
- Up to 8" beam standard



Extension kits available
See page 21

Dimensions in Inches

PROD. NO.	Rated Capacity (Tons)	Rated Capacity (lbs)	I-Beam Flange Width (H)	Min. Radius Curve	Diameter Length of Chain	A	B	C	D	E	F	G	Net Weight (lbs)	Ship Weight (lbs)
120362	1	2,200	4"-8-1/32"	40"	3/16" x 10'	10-3/4	10-1/4	9-3/8	2-15/16	1-1/4	1/8	5-13/64	40	47
120364	2	4,400	4"-8-1/32"	43"	3/16" x 10'	13-5/8	11-7/8	10-15/16	3-1/2	1-1/16	1/8	6-1/16	57	67
120365	3	6,600	4"-8-1/32"	51"	3/16" x 10'	14-3/8	13-1/2	13-15/16	4-5/16	13/16	1/8	7-21/32	90	106
120366	5	11,000	4-1/4"-8-1/32"	55"	3/16" x 10'	15-1/8	15-3/8	15-29/32	4-3/4	13/16	1/8	8-3/4	121	140
120367	10	22,000	4-5/8"-8-1/32"	67"	3/16" x 10'	15-15/16	18-1/2	19-5/8	5-29/32	1-3/4	1/8	11	209	246

EXTENSION SHAFT KITS

- Converts trolleys for use on beams with flange widths from 8" to 12"
- Includes suspension shaft, washers, castle nuts and split pins
- Fits SBT and SGT series trolleys



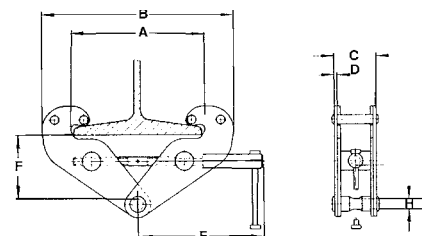
PROD. NO.	MOD. NO.	Description
124202	JTES-0512	1/2 ton trolleys
124203	JTES-1012	1 ton trolleys
124204	JTES-1512	1.5 ton trolleys
124205	JTES-2012	2 ton trolleys
124206	JTES-3012	3 ton trolleys
124207	JTES-5012	5 ton trolleys
124208	JTES-10012	10 ton trolleys

BEAM CLAMPS

- Beam clamps range in capacity from 1 to 5 tons
- Jaw design reduces flange stress by distributing load away from flange edge
- Threaded handle allows for ease of installation and portability
- Can be adjusted to fit securely on a wide range of flange and beam widths
- Built-in suspension bar provides for a low headroom design
- Flanges produced to equal length ensuring best possible stability
- Special locking screw mechanism ensures the unit stays tight, increasing safety
- Meets ANSI B30.11 specifications (Certificate included)
- Tested to 150% of rated capacity



PROD. NO.	MOD. NO.	Capacity (Tons)	Rated Capacity (lbs)	Rated Flange Width	Net Weight (lbs)	Ship Weight (lbs)
120603	JBC-1	1	2,000	2.95" - 9.05"	11	12
120605	JBC-2	2	4,000	2.95" - 9.05"	12	14
120606	JBC-3	3	6,000	3.35" - 12.6"	26	27
120607	JBC-5	5	10,000	3.5" - 12.6"	34	35

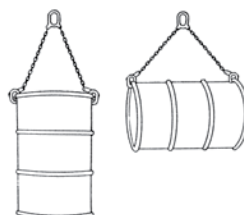


PROD. NO.	MOD. NO.	Maximum			Maximum Minimum Minimum						
		A	B	B	C	D	E	F	F	G	H
120603	JBC-1	9.65"	7.48"	14.17"	2.76"	0.20"	8.46"	5.31"	3.07"	1.10"	.80"
120605	JBC-2	9.65"	7.48"	14.17"	2.91"	0.28"	8.46"	5.31"	3.07"	1.10"	.80"
120606	JBC-3	11.22"	9.84"	17.52"	4.65"	0.31"	10.24"	6.30"	4.33"	2.17"	.87"
120607	JBC-5	12.60"	10.43"	19.09"	5.51"	0.39"	0.63"	6.50"	4.92"	2.05"	1.10"

DRUM CLAMPS

SUMO™ SERIES DRUM LIFTER

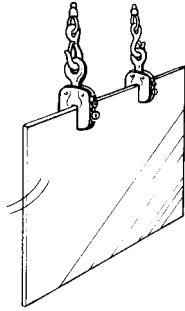
- Designed to lift drums with or without lids
- Clamp uses drum edge for lifting
- Compact and lightweight
- All steel construction
- 6mm Grade 80 galvanized alloy chain
- 6:1 safety factor



PROD. NO.	PROD. NO.	Rated Capacity	Net Weight (lbs)
109392	SDL-100	1 Ton	6



PLATE CLAMPS



SUMO™ SERIES – VERTICAL

- Heavy duty industrial plate clamps safely lift various sizes and weights of steel plates
- A must for all steel fabrication plants
- Vertical type with safety lock
- Meets ANSI B30.20 specifications (Certificate included)
- Specially hardened jaw for long life and safe gripping power
- Suitable for plates of 400 Vickers (HRC-41) Max
- Tested to 200% of rated capacity



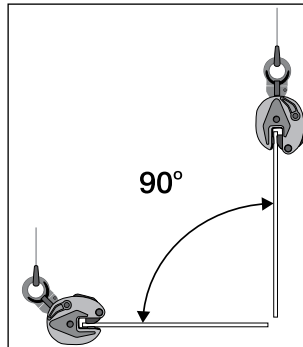
PROD. NO.	MOD. NO.	Rated Capacity (Tons)	Jaw Opening	Suspension Eye Opening	Minimum Plate Thickness (mm)	Net Weight (lbs)
109302	SPC-100	1	0 - 7/8"	2"	7/32 (5.5)	8.2
109304	SPC-200	2	0 - 1-3/16"	2-1/4"	19/64 (7.5)	14.5
109305	SPC-300	3	0 - 1-3/8"	2-3/8"	11/32 (8.8)	19.8

SUMO™ SERIES – UNIVERSAL

- Capacities range from 1/2 - 3 ton
- Industrial quality plate clamps designed to lift and turn steel plates
- Vertical type with safety lock
- Specially hardened jaw for long life
- Double edged pivot for strong grip
- Suitable for plates of 400 Vickers (HRC-41) Max
- Meets ANSI B30.20 specifications (Certificate included)
- Tested to 200% of rated capacity



PROD. NO.	MOD. NO.	Rated Capacity (Tons)	Jaw Opening	Suspension Eye Opening	Minimum Plate Thickness (mm)	Net Weight (lbs)
109322	SPCU-50	1/2	0 - 19/32"	2"	5/32 (3.8)	4
109323	SPCU-100	1	0 - 13/16"	2-1/4"	13/64 (5.0)	9.5
109325	SPCU-200	2	0 - 1"	2-3/8"	1/4 (6.3)	16
109327	SPCU-300	3	0 - 1-3/16"	3"	19/64 (7.5)	32.5



BLOCKS / SHEAVES

YARDING BLOCKS

- Strong, all steel construction
- Ball bearing, high carbon steel sheave
- Zerk type grease fitting on all sizes
- Tested to 150% of rated capacity

PROD. NO.	Size	Rated Capacity (Tons)	Rope Diameter	Ship Weight (lbs)
131104	4"	1	3/8"	4
131105	5"	1-1/2	1/2"	9
131106	6"	2	9/16"	13
131108	8"	4	5/8"	25
131110	10"	5	5/8"	30



SNATCH BLOCKS

- Cast iron sheave
- Available with single or double sheave
- Powder metallurgy bushings for improved oil retention
- Hook complete with safety latch
- Tested to 150% of rated capacity
- Ball type oiler on 3," 4" and 5"
- Zerk type grease fitting on 6," 8" and 10"

PROD. NO.	Size	Type	Rated Capacity (Tons)	Rope Diameter	Ship Weight (lbs)
130103	3"	single	1/2	3/8"	3
130203	3"	double	1/2	3/8"	4
130104	4"	single	1	7/16"	5
130204	4"	double	1	7/16"	7
130105	5"	single	1-1/2	1/2"	10
130106	6"	single	2	5/8"	16
130108	8"	single	4	3/4"	32
130110	10"	single	5	7/8"	52



SINGLE SHEAVE

- Cast iron
- Bronze bushings
- Ball type oiler
- Tested to 150% of rated capacity

PROD. NO.	Size	Bore Size	Rope Diameter	Rated Capacity (Tons)	Width	Ship Weight (lbs)
133103	3"	1/2"	5/16"	1/2	3/4"	1
133104	4"	5/8"	3/8"	1	15/16"	2
133105	5"	3/4"	1/2"	1-1/2	1-1/16"	4
133106	6"	1-1/8"	5/8"	2	1-5/16"	6
133108	8"	1-1/4"	7/8"	4	1-7/8"	14



STRONGARM®

Strongarm, part of the JET family of brands, is one of Canada's leading choices in lifting and shop equipment for professionals in the automotive and heavy duty markets. For over 50 years JET Equipment & Tools Ltd. has been a supplier of quality tool and equipment products to the automotive aftermarket and industrial supply markets. www.strongarminc.com



MECHANICAL BOTTLE SCREW JACK



- Professional contractor quality mechanical bottle screw jack for all-purpose lifts and supports
- Ideal for construction, structural moving, supporting machinery, automotive, trucks, industrial, agriculture and general maintenance
- Holds loads indefinitely – will not creep
- Heavy-duty bell shaped cast base adds stability
- Head pivots to provide maximum contact
- Corrugated steel swivel head turns easily under load
- Acme type thread
- Easy to carry and position with built-in handle
- Turning bar handle sold separately
- Compliance: ANSI / ASME B30.1 standards

NEW

HEAVY DUTY

PROD. NO.	MOD. NO.	Rated Capacity (Tons)	Bar Hole Size	Minimum Height	Lifting Height	Maximum Height	Net Weight
141503	SJ-05	5	9/16" / 14.28mm	9-29/64" / 240.0mm	3.94" / 100.0mm	13.39" / 340.0mm	9.25lb / 4.2kg
141505	SJ-10	10	11/16" / 17.46mm	11-1/2" / 292.0mm	6.3" / 160.0mm	17.83" / 453.0mm	15.64lb / 7.1kg
141508	SJ-15	15	13/16" / 20.63mm	13.86" / 352.0mm	7.48" / 190.0mm	21.38" / 543.0mm	23.13lb / 10.5kg
141512	SJ-20	20	1" / 25.40mm	15.83" / 402.0mm	9.06" / 230.0mm	24.88" / 632.0mm	34.36lb / 15.6kg
141516	SJ-25	25	1" / 25.40mm	16.61" / 422.0mm	9.69" / 246.0mm	26.34" / 669.0mm	40.31lb / 18.3kg

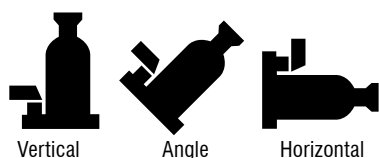
Handle-turning bar for mechanical bottle screw jack – sold separately

PROD. NO.	MOD. NO.	Size	Net Weight	Fits Product Number	Fits Model Number
141504	SJH-05	1/2" / 12.70mm x 18" / 457.2mm	1.23lb / 0.56kg	141503	SJ-05
141506	SJH-10	5/8" / 15.88mm X 24" / 609.6mm	2.11lb / 0.96kg	141505	SJ-10
141509	SJH-15	3/4" / 19.05mm X 36" / 914.4mm	4.96lb / 2.25kg	141508	SJ-15
141513	SJH-2025	1" / 25.40mm X 42" / 1066.8mm	9.05lb / 4.11kg	141512 / 141516	SJ-20 / SJ-25

HYDRAULIC JACKS

INDUSTRIAL BOTTLE JACKS

- These JET industrial hydraulic bottle jacks have earned a reputation for extra heavy duty performance, reliability and dependability for over 40 years
- Tested to over 150% of rated capacities
- Electrically welded base and cylinder assures strength and eliminates leaks
- Rigidly adheres to JIS and ANSI standards
- Available in standard and Low Profile models (LP)
- Not affected by temperature extremes
- All models work in upright, angle or horizontal positions
- Equipped with convenient extension screw for low pick up height adjustment
- Cleated steel lift saddle for safest operator conditions
- Fully serviceable; common release valve assemblies and other interchangeable parts allow quick repairs

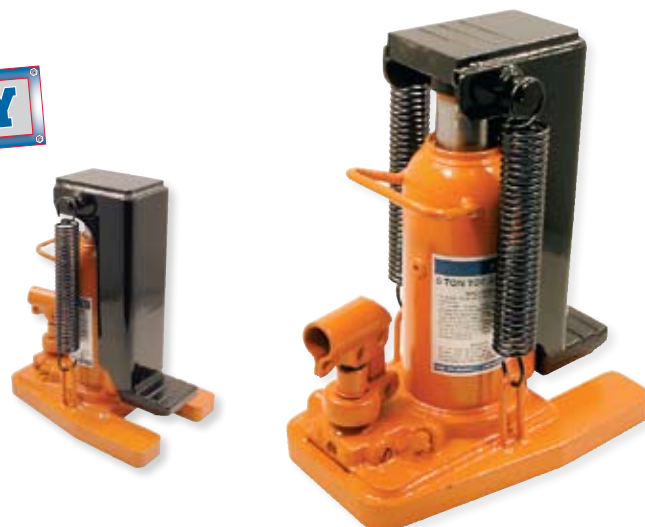


PROD. NO.	MOD. NO.	Rated Capacity (Tons)	Closed Height	Piston Height	Head Screw Height	Maximum Height	Base Size	Handle Type (piece)	Ship Weight (lbs)
140101	JHJ-2	2	7-1/8"	4-1/2"	2"	13-9/16"	4-5/16" x 2-9/16"	2	6
140102	JHJ-3	3	7-1/2"	4-1/2"	2-3/8"	14-3/8"	4-1/2" x 2-13/16"	2	6
140103	JHJ-5	5	7-7/8"	4-3/4"	2-3/4"	15-3/8"	5-3/16" x 15/16"	3	8
140104	JHJ-8	8	7-7/8"	4-3/4"	2-3/4"	15-3/8"	6" x 3-1/2"	3	12
140105	JHJ-12-1/2	12-1/2	9-1/2"	5-7/8"	3-1/8"	18-1/2"	6-1/2" x 4-3/16"	3	18
140106	JHJ-12-1/2LP	12-1/2	6-3/4"	3-3/4"	3"	13-3/8"	6-1/2" x 4-3/16"	1	14
140107	JHJ-17-1/2	17-1/2	10-7/16"	6-1/2"	3-1/8"	20-1/16"	7-1/8" x 4-5/8"	3	23
140108	JHJ-17-1/2LP	17-1/2	6-3/4"	3-1/2"	2-3/4"	13"	7-1/8" x 4-5/8"	1	18
140109	JHJ-22-1/2	22-1/2	10-5/8"	6-1/4"	-	16-5/16"	7-3/16" x 5-1/16"	3	27
140110	JHJ-22-1/2LP	22-1/2	7-1/8"	3-3/8"	1-9/16"	12"	7-3/16" x 5-1/16"	1	22
140111	JHJ-35	35	11"	6-1/4"	-	17-5/16"	7-9/16" x 5-9/16"	1	41
140112	JHJ-60	60	12"	6-3/4"	-	18-11/16"	9-5/16" x 7-3/8"	1	82



HYDRAULIC TOE JACKS

- For use where exceptionally low pick up height is required
- Extra wide base for maximum stability
- 200° handle socket for operation from any direction
- Load can be applied to toe or head
- Complete with overload protection
- Electrically welded base and cylinder assures strength and eliminates leaks
- Rigidly adheres to JIS and ANSI standards
- Not affected by temperature extremes



PROD. NO.	MOD. NO.	Rated Capacity (Toe)	Rated Capacity (Head)	Minimum Height (Toe)	Maximum Height (Toe)	Minimum Height (Head)	Maximum Height (Head)	Base Size (L x W)	Ship Weight (lbs)
149123	JTJ-5SV	5 ton	6 ton	1"	5-5/8"	11-1/2"	16-1/8"	10-5/8" x 7-1/8"	50
149125	JTJ-10SV	10 ton	14 ton	1-1/4"	6-3/4"	13"	18-1/2"	11-1/4" x 9-1/2"	80

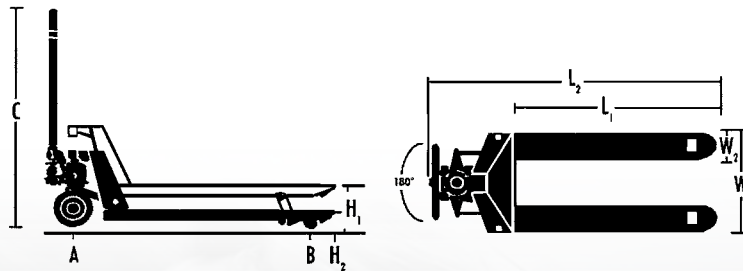
PALLET TRUCKS

HEAVY DUTY



PT SERIES HYDRAULIC PALLET TRUCKS

- High quality 5,500 lb. capacity
- 3 position control lever automatically returns to neutral position. Handle operates from rear and sides and returns to upright position when released
- Ergonomic handle grip for operator comfort and positive control
- Totally sealed hydraulic pump for reliable leak-free operation. Built-in overload protection and top of stroke bypass valve prevents damage
- Slow lowering hand control valve for optimum control
- Large diameter polyurethane coated steel steer wheels and polyurethane load rollers for maximum manoeuvrability and smooth transport of heavy loads.
- Steering column swivels 202°
- High tensile steel frame and one piece "C" section forks with welded reinforcement for superior strength
- Fully adjustable push rods for fork height adjustment
- Entry rollers in front of load rollers allow easy entry and exit from pallets
- 27" x 48" forks are extra wide for maximum strength
- Grease fittings at all key points



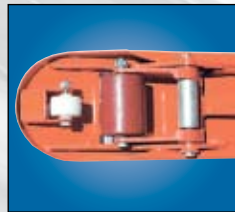
PROD. NO.	MOD. NO.	Rated Capacity (lbs)	Skid Quantity	W1	W2	L1	L2	H1	H2	A	B	Ship Weight (lbs)
190918	PT-5500	5,500	6	27"	7"	48"	61-1/2"	7-1/4"	2-31/32"	7-7/8" x 2-1/2"	2-29/32" x 3-55/64"	209



Totally sealed H.D. hydraulic unit steel wheel wrapped in polyurethane



Three position control lever for operator convenience



Heavy duty single front wheel with entry, exit roller wheel



Fully adjustable push rods

PALLET TRUCKS

SPT SERIES HYDRAULIC SCISSOR LIFT PALLET TRUCK

- High quality 2,200 lb capacity
- Heavy-duty hydraulic pump
- High back for safety
- Over 28" of travel to a top height of 3'
- Front rollers for mobility
- Smooth polyurethane caster wheels
- Automatic stabilizers prevent rolling of truck in extended position
- Use on open pallets only



PROD. NO.	MOD. NO.	Rated Capacity (Tons)	Rated Capacity (lbs)	Minimum Fork Height (in)	Maximum Fork Height (in)	Fork Size (in)	Overall Fork Width (in)	Usable Fork Length (in)	Load Wheel Diameter (in)	Fork Roller Diameter (in)	Ship Weight (lbs)
190922	SPT-2200	1	2,200	3-3/8	32-1/8	6-1/4W x 2H	26-3/4	46	7-3/4	3-1/8	300

MOBILE LIFT TABLES

SLC SERIES HYDRAULIC SCISSOR LIFT CARTS

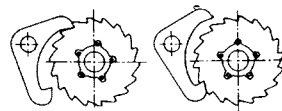
- Hydraulic table designed for lifting and lowering
- Foot pedal for easy table lifting
- Wire control for convenient operation is superior to knob control
- Large table size
- Wheel stops for positioning cart
- Polyurethane casters for smooth travel
- Industrial quality



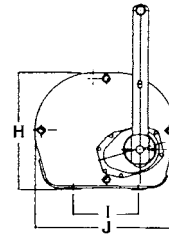
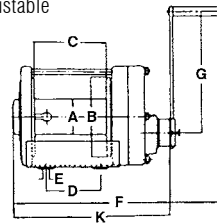
190964

PROD. NO.	MOD. NO.	Rated Capacity (lbs)	Minimum Table Height (in)	Maximum Table Height (in)	Handle Height (in)	Table Dimensions (in)	Wheel Diameter (in)	Foot Pedal Cycles to Max. Height	Net Weight (lbs)
190962	SLC-330	330	8-3/4	28-3/4	36-7/8	27-1/2 x 17-5/8	4	28	99
190964	SLC-660	660	11-1/2	35-1/4	38	33-1/2 x 19-3/4	5	27	169
190968	SLC-1100	1,100	11-1/2	35-3/4	38-7/8	33-1/2 x 19-3/4	5	27	178

HEAVY DUTY



Double Brake Pawl



WINCHES

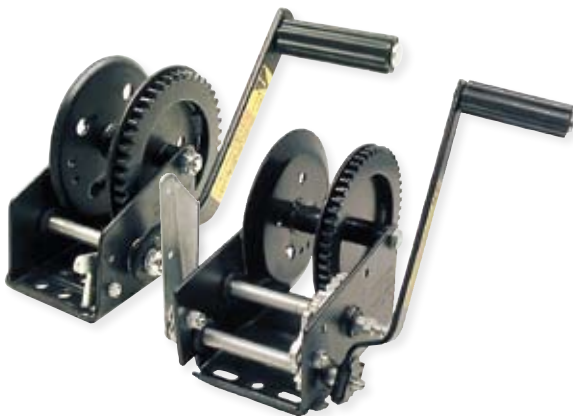
INDUSTRIAL WINCHES

- Free wheeling feature enables the operator to pay out cable fast with no load attached
- Will not free wheel under load
- Safe and dependable braking system includes a double-tipped brake pawl ensuring that either tip is always engaged under all conditions
- Non-asbestos brake discs using a high quality low abrasion aramid fibre material for a safer and healthier environment
- Dust and weather-tight housing using an ABS plastic cover to seal out dust and rain
- All braking components are plated with a rust resistant finish
- Handle grip is designed to allow maximum comfort during winding
- Handle length is easily adjustable

PROD. NO.	MOD. NO.	Rated Lifting Capacity (lbs)	Drum Capacity	Overall Dimensions (L x W x H) (in)	Cable Length Pulled per Turn (in)	Force Req. to Lift Capacity (lbs)	Handle Length (in)	Gear Ratio	Ship Weight (lbs)
113261	IWF-100N	220	5/32" x 131'	10-7/8 x 6-5/16 x 5-13/16	6-1/2	26	9-13/16	1:1	16
113262	IWF-300N	551	3/16" x 131'	14-1/4 x 8-11/16 x 6-7/8	2-7/8	20	13-3/4	2.88:1	27
113263	IWF-500N	882	1/4" x 98'	14-1/4 x 9-11/16 x 7-3/16	2-3/16	25	13-3/4	4.33:1	30
113264	IWF-1000N	1,653	5/16" x 98'	15-7/8 x 10-1/2 x 8-7/16	1	22	13-3/4	12.2:1	43
113266	IWF-3000N	3,748	1/2" x 66'	20-1/16 x 14-1/4 x 11-11/16	5/8	33	13-3/4	28.8:1	101

Dimensions in Inches

MOD. NO.	A	B	C	D	E	F	G	H	I	J	K
IWF-100N	1-7/8	4-1/32	4-11/16	3-1/4	7/16	15-15/16	9-13/16	5-51/64	3-35/64	6-19/64	9-5/8
IWF-300N	2-3/8	4-59/64	5-29/32	3-15/16	19/32	19-13/64	13-3/4	6-55/64	5-1/8	8-43/64	12-15/16
IWF-500N	2-3/4	5-33/64	5-29/32	3-15/16	19/32	19-13/64	13-3/4	7-11/64	5-1/8	9-21/32	12-15/16
IWF-1000N	3-1/2	6-57/64	6-7/64	4-21/64	45/64	20-53/64	13-3/4	8-7/16	6-45/64	10-31/64	14-9/16
IWF-3000N	5-1/2	9-1/16	8-5/64	6-7/64	45/64	24-63/64	13-3/4	11-21/32	6-45/64	14-17/64	18-23/32



GENERAL PURPOSE WINCHES

- Galvanized winches are coated with "Posi-Glaze," an oven cured epoxy providing exceptional resistance to rust, salt and chemical corrosion
- One piece pinion gear and shaft design eliminates gear to shaft bonding failures
- Oil impregnated bearings ensure smooth operation
- High tensile alloy steel is used for all shafts and gears
- Frames are embossed for extra strength
- Ideal for a wide range of applications such as industrial, automotive, agri-motive, marine and construction

PROD. NO.	MOD. NO.	Load Capacity (lbs)	Gear Ratio	Hub Diameter	Reel Capacity – Rope				Reel Capacity – Cable		Net Weight (lbs)	Ship Weight (lbs)
					5/16"	3/8"	7/16"	1/2"	1/8"	3/16"		
113106	GPW-1200	1,200	4.2:1	3/4"	50'	25'	20'	–	200'	90'	6	7
113107	GPW-2500	2,500	5.1:1 / 12.2:1	1"	–	50'	35'	30'	–	170'	14	15

SUBMERSIBLE PUMPS

2" 1/2 HP SUBMERSIBLE PUMP

290771 (R400-115)

- Heavy duty 1/2HP CSA approved motor
- Unit easily fits into 8" casing
- Outer casing made of durable 304 stainless steel, making the pump easy to clean, keeping the weight down and preventing rust
- Impeller shaft, hardware and motor casing also made of 304 stainless steel
- The lip seal at the bottom of the oil chamber rides on a shaft sleeve, eliminating grooves forming on the shaft
- Silicon carbide lower seals are standard
- Top lid and oil housing are made of cast iron
- Ideal for dewatering construction sites, mines, industrial and utility plants



2" 1/2 HP SUBMERSIBLE TRASH PUMP

290784 (SV400)

- Heavy duty 1/2HP CSA approved motor
- Outer casing made of 304 stainless steel, making the pump fast to clean, keeping the weight down and preventing rust
- Impeller shaft, hardware and motor casing also made of 304 stainless steel
- The lip seal at the bottom of the oil chamber rides on a shaft sleeve, eliminating grooves forming on the shaft
- Lower silicon carbide seals are standard
- Top lid and housing are made of cast iron
- Equipped with vortex type impellers, the best non-clog impellers available for the handling of mud, rain, sewage, viscous liquids, rags, wood chips and other solids. Passes solids up to 90% of outlet diameter



Vortex Impeller



2" 1 HP SUBMERSIBLE PUMP

290774 (R750-115)

- R750 comes with H.D. 1HP 115V CSA approved motor
- Units easily fit into 8" casing
- Outer casing made of durable 304 stainless steel, making the pump easy to clean, keeping the weight down and preventing rust
- Impeller shaft hardware and motor casing also made of 304 stainless steel
- The lip seal at the bottom of the oil chamber rides on a shaft sleeve, eliminating grooves forming on the shaft
- Silicon carbide lower seals are standard
- Top lid and oil housing are made of cast iron
- Comes with 50' of cord
- Ideal for heavy duty dewatering jobs on construction sites, mines, industrial and utility plants



PROD. NO.	MOD. NO.	HP	Volt	Rated Amps	Discharge Size	Maximum Solids	Maximum Head	Maximum GPM	Cable	Overall Width	Overall Height	Net Weight (lbs)
290771	R400-115	0.5	115	6	2"	1/8"	39'	67	33'	6.5"	14.6"	26
290784	SV400	0.5	115	7.5	2"	1-3/8"	29'	63	33'	8.5"	15.8"	30.8
290774	R750-115	1	115	13	2"	1/4"	51'	100	50'	7.3"	19"	53

All pumps equipped with thermal overload protection and double mechanical seals.

DISPLAY RACKS



HOISTS

890157 (MHDR-2)
• 30" wide x 30" deep x 82" high



CABLE PULLERS

890431 (JCCPP-8)



LEVER PULLERS

890432 (SSCP-8)



BOTTLE JACKS & VISES

890691 (JMF-4S)
• 20" wide x 17" deep x 60" high

WARRANTY POLICY

All JET branded products are manufactured to the highest standards and are guaranteed against defects in workmanship and materials when the tool is used for the purpose for which it was designed. Any JET product that fails during normal use and within the specified warranty period stated below, will be repaired or replaced, at JET's discretion, at no charge to the customer. This warranty is void if there is evidence of misuse, abuse, alteration or normal wear and tear. No claims for damages of any type will be considered and all product is sold with this understanding.

Any JET material handling product for which there is a warranty claim should be returned prepaid to an authorized JET distributor or service centre along with proof of purchase and an explanation of the defect.

1 Year Limited Warranty

GENERAL INFORMATION ON JET CHAIN HOISTS AND PULLERS

CUSTOM LIFTS: Custom lifts are available. However, custom lift hoists and pullers are not returnable.

CAUTION: Be sure that supporting structures and load-attaching devices used in conjunction with hoists provide an adequate safety factor to handle the rated load plus the weight of the equipment. If in doubt, consult a qualified structural engineer. This equipment is not to be used for lifting, supporting or transporting people, or lifting or supporting loads over people.

IMPORTANT: Before installation see maintenance and operations manual for additional warnings and precautions.

NUMERICAL INDEX

101202..... 4	107203 12	109327 22	120253 20	130203 23	149125..... 25
101204..... 4	107204 12	109392 21	120254 20	130204 23	190918 26
101206..... 4	107205 12	110241 15	120255 20	131104..... 23	190922 27
101212..... 4	107206 12	110242 15	120256 20	131105..... 23	190962 27
101214..... 4	107212..... 12	110243 15	120257 20	131106..... 23	190964 27
101216..... 4	107213..... 12	110244 15	120362 20	131108..... 23	190968 27
101222..... 4	107214..... 12	110502 17	120364 20	131110 23	290771 29
101224..... 4	107215..... 12	110503 17	120365 20	133103..... 23	290774 29
101226..... 4	107216..... 12	110504 17	120366 20	133104..... 23	290784 29
101232..... 4	107262 12	110903 17	120367 20	133105..... 23	890157 30
101234..... 4	107263 12	110904 17	120603 21	133106..... 23	890431 30
101236..... 4	107264 12	111122 19	120605 21	133108..... 23	890432 30
101252..... 4	107265 12	111123 19	120606 21	140101..... 25	890691 30
101254..... 4	107266 12	111124 19	120607 21	140102..... 25	E06913 7
101256..... 4	107413 10	111136 18	120722 11	140103..... 25	E06915 7
101262..... 4	107414 10	111137 18	120724 11	140104..... 25	E06918 7
101264..... 4	107440 11	111138 18	120742 11	140105..... 25	E06920 7
101266..... 4	107441 11	111152 19	120747 11	140106..... 25	E06928 7
101283..... 4	107442 11	111153 19	120772 11	140107..... 25	E06930 7
101292..... 4	107443 11	111154 19	120774 11	140108..... 25	E06933 7
101402..... 6	107446 11	111162 19	120796 11	140109..... 25	E06935 7
101406..... 6	107447 11	111163 19	124202 21	140110..... 25	E06938 7
101412 6	107463 10	111164 19	124203 21	140111 25	E06940 7
101416 6	107464 10	111225 14	124204 21	140112 25	E06951 17
101422..... 6	107491 11	111228 14	124205 21	141503..... 24	E06952 17
101426..... 6	109042 8	113106 28	124206 21	141504..... 24	E06953 17
101432..... 6	109044 8	113107 28	124207 21	141505..... 24	E06961 17
101436..... 6	109047 8	113261 28	124208 21	141506..... 24	E06962 17
101452..... 6	109302 22	113262 28	130103..... 23	141508..... 24	PEL-21-1 13
101456..... 6	109304 22	113263 28	130104..... 23	141509..... 24	PEL-21-2 13
101462..... 6	109305 22	113264 28	130105..... 23	141512 24	PEL-21-3 13
101466..... 6	109322 22	113266 28	130106..... 23	141513 24	PEL-21-4 13
105360 11	109323 22	120251 20	130108..... 23	141516 24	PEL-21-5 13
107202 12	109325 22	120252 20	130110..... 23	149123..... 25	PEL-21-6 13

ALPHABETICAL INDEX

Air Hoists..... 8
Beam Clamps 21
Blocks 23
Bottle Jacks..... 25
Cable Pullers – Hand..... 14
Chain Pullers – Lever..... 15 - 17
Display Racks 30
Drum Clamps..... 21
Electric Hoists 9 - 13
Extension Shaft Kits..... 21
Grip Pullers 18 - 19
Hoists – Manual, Chain..... 4 - 7
Hoists – Electric 9 - 13
Hydraulic Jacks 25

Lever Pullers 15 - 17
Lift Tables – Mobile 27
Mechanical Bottle Jacks..... 24
Pallet Trucks..... 26 - 27
Plate Clamps..... 22
Sheaves 23
Snatch Blocks..... 23
Submersible Pumps 29
Toe Jacks 25
Trolleys – Electric..... 11
Trolleys – Manual, Adjustable..... 20
Warranty Policy 30
Winches 28
Wire Rope 19
Wire Rope Pullers 19
Yarding Blocks 23