

AIR POWER

Aluminum Frame & Cover

Lightweight aluminum housing offers:

- Rugged holding shafts and bearings in close alignment

Infinitely Variable Speed Control

Full-flow pendant design offers operator exacting throttle control:

- Precise throttle valves meter air flow for smooth operation

Multi-Vane Rotary Air Motor

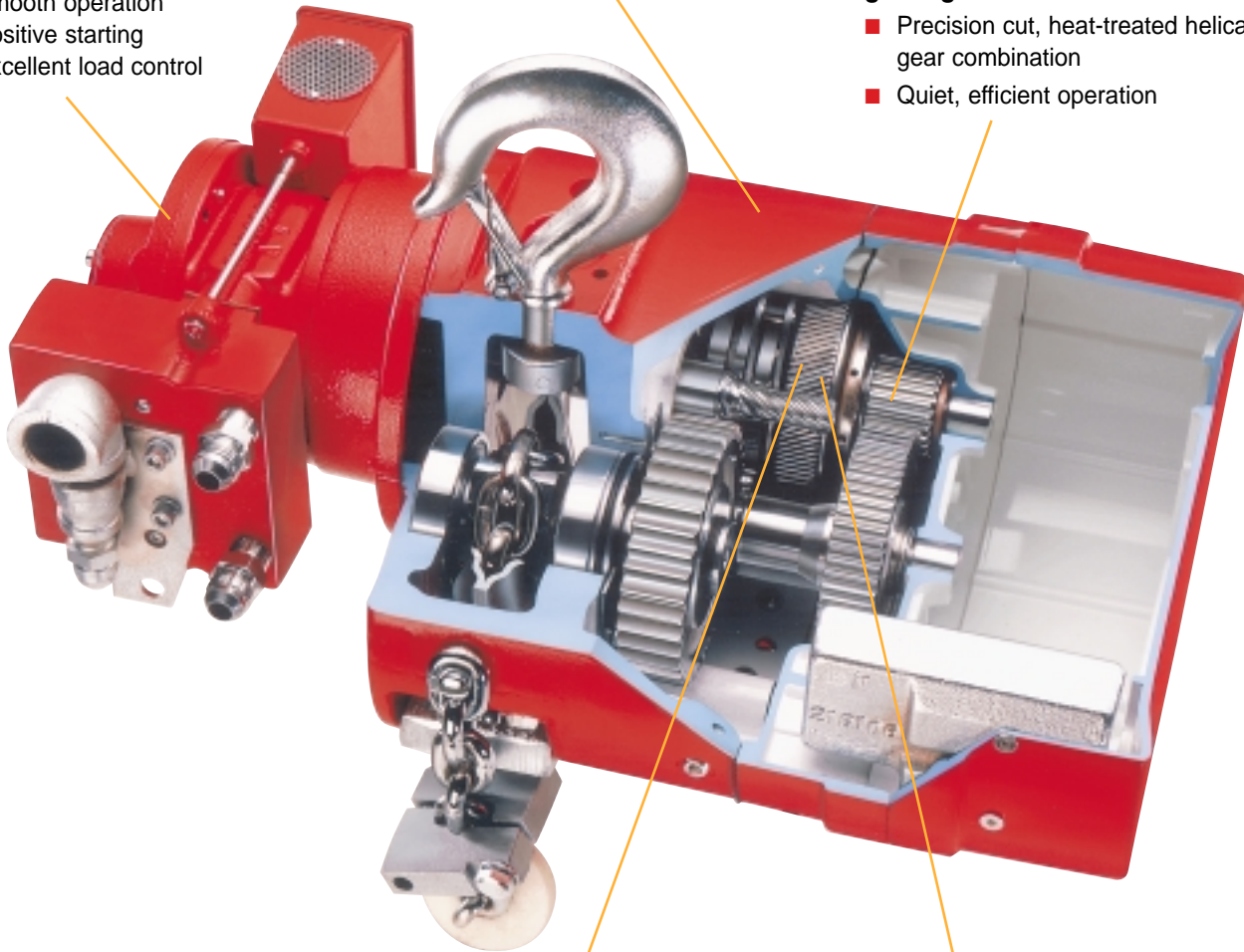
8-vane rotary design provides:

- High torque
- Smooth operation
- Positive starting
- Excellent load control

Combination Gearing

Model CAH hoists combine efficient gearing that features:

- Precision cut, heat-treated helical and spur gear combination
- Quiet, efficient operation



Spark Resistant Models

Lower speed, medium duty models for hazardous environments are available with these features:

- Bronze alloy hooks and stainless steel latches
- Chrome nickel non-magnetic stainless steel alloy load chain
- Bronze limit stop with aluminum limit actuators and modified sprocket and guide

Mechanical Load Brake

Positive acting Weston-type load brake:

- Holds the load effectively
- Provides exacting load spotting and control

Overload Protection

Overload device helps ensure smooth, safe operation:

- Protects against excessive overloads
- Clutch acts as upper and lower limits of chain travel

Variable Speed Control

Model CAH Air Powered Hoist



1/2 - 3 Ton
Made In USA

Coffing Large Frame, Model CAH - Large frame air chain hoists featuring continuous duty service for precise, infinitely variable speed and accurate load spotting.

- **CAPACITIES & LIFT** - Rated loads of 1, 2 & 3 ton. 10-foot standard lift, longer lifts available.
- **CONTROLS** - Pendant throttle is full-flow design. 6-foot pendant hose length for 10-foot lift (4-foot less than lift—standard).
- **THROTTLE VALVE** - Precision throttle valves meter air for smooth starts.
- **SUSPENSION** - Swivel top and bottom hooks with safety latches standard. Rigid top hook, lug, plain, geared, and air motor trolleys available.
- **SPEEDS** - Precise and infinitely variable speed control for accurate load spotting. 90 PSI air operating pressure.
- **ALUMINUM HOUSING** - Lightweight, compact, and strong.
- **MOTOR** - 8-vane rotary air motor produces high, uniform torque and quick response. Internal muffler for quiet operation.
- **GEARING** - Combination of precision cut, heat-treated helical and spur gears for efficient operation.
- **MECHANICAL LOAD BRAKE** - Positive acting Weston-type load brake holds the load and provides exacting load spotting and control.
- **OVERLOAD CLUTCH** - Protects hoist, operator, and supporting structures from damaging overloads. Clutch acts as upper and lower limits.
- **SPARK RESISTANT MODELS** - Rated loads 1/2, 1 & 2 ton.
- **OPTIONS** - Corrosion resistant models and chain containers also available.
- **AIR SUPPLY** - Inlet size: 3/4" NPTF; Supply hose: 3/4" I.D. min.
- **LIFETIME WARRANTY**

SPECIFICATIONS

Model CAH Air Hoists - Large Frame

Capacity (Lbs.)	Capacity (Tons)	Model Number	Number of Chains	Lift Speeds * (FPM)		‡ Headroom (In.)	Air Pressure (PSI)	Net Weight (Lb.)
				Lifting	Lowering			
2000	1	CAH-2013	1	13	18	16 ⁹ / ₁₆	90	93
2000	1	CAH-2030	1	30	42	16 ⁹ / ₁₆	90	95
4000	2	CAH-4006	2	6	9	22 ¹ / ₄	90	110
4000	2	CAH-4015	2	15	21	22 ¹ / ₄	90	112
6000	3	CAH-6004	3	4	6	24	90	144
6000	3	CAH-6010	3	10	14	24	90	146

Spark Resistant Models

1000	1/2	CAH-0516-S	1	16	22	16 ³ / ₄	90	95
2000	1	CAH-1008-S	2	8	11	22 ⁷ / ₈	90	112
4000	2	CAH-2005-S	3	5	7	25 ⁷ / ₈	90	146

* Speeds based on 90 PSI line pressure and with full rated load.

‡ Headroom dimension given for swivel top hook suspension only.

Air Consumption: 70 SCFM (full load - full speed) slow speed model; 80 SCFM (full load - full speed) fast speed model.

Standard lift 10 ft.
Longer lifts are available

NOTE: For complete dimensional data, refer to Coffing Dimensional Databook.

AIRER

Planetary Gearing

Heat treated alloy steel spur gears are accurately machined to provide a close meshed, compact gear reduction.

Aluminum Frame, Cover, and Control Head

Lightweight and portable. Designed for strength and ruggedness.

Inlet Air Swivel

Provides free hoist movement with built-in screen.

Heavy Duty Shoe-Type Brake

Proven design for stopping and holding in heavy-duty applications. Externally adjustable.

Limit Lever

Prevents overtravel in both lifting and lowering directions.

8-Vane Motor

Provides high-torque, smooth starts, and excellent control.

External Speed Adjustment Screws

Convenient adjustment for both lifting and lowering speeds.

Controls

Pull cord provides an economical option for accurate load control.
Pendant throttle offers ergonomic one-hand control for ease of operation.

Continuous Duty - Precise Positioning

Model CAH Air Powered Hoist

Coffing Small Frame, Model CAH - Small frame air chain hoists features accurate load spotting for specialized lifting applications.

- **CAPACITIES & LIFT** - Rated loads of 1/4, 1/2, and 1 ton. 10-foot standard lift, longer lifts available.
- **CONTROLS** - **Pull Cord** provides a lightweight, economical option for accurate control of loads. **Pendant Throttle** provides one-hand control, for ease of operation. 6-foot control drop length for 10-foot lift (4-foot less than lift—standard).
- **CHAIN OPTIONS** - Link-type or roller-type load chain.
- **SUSPENSION** - Swivel top and bottom hooks with safety latches standard. Rigid top hook, lug, plain, geared, and air motor trolleys available.
- **COMPACT CONSTRUCTION** - Ideal for use in areas with restricted space. Aluminum housing provides strength and portability.
- **MOTOR** - 8-vane motor provides high torque, smooth starting, and excellent load control.
- **LIMIT STOPS** - Prevent over-travel in upper and lowering directions.
- **BRAKE** - Heavy-duty shoe-type with proven design for stopping and holding loads. Externally adjustable.
- **SPARK RESISTANT MODELS** - Rated loads of 3/8 and 3/4 ton.
- **OPTIONS** - Chain container available. Plated chain optional for corrosion resistance.
- **AIR SUPPLY** - Inlet size: 3/8" NPTF; Supply hose: 1/2" I.D. min. Exhaust: 1/2" NPTF; Consumption: 48 SCFM at 90 PSI.
- **LIFETIME WARRANTY**



1/4 - 1 Ton
Made In USA

SPECIFICATIONS

Model CAH Air Hoists - Small Frame

Capacity Lbs.	Ton	Type Chain	Model Number Controls		Number of Chains	Lift Speeds** (FPM)		± Headroom (in.)	Air Pressure (PSI)	Net † Weight (Lbs.)
			Pull Cord	Pendant Throttle*		Lifting	Lowering			
500	1/4	Link	CAH-0565-LC	CAH-0565-LP	1	65	95	15 1/4	90	36
1000	1/2	Link	CAH-1045-LC	CAH-1045-LP	1	45	120	15 1/4	90	36
2000	1	Link	CAH-2023-LC	CAH-2023-LP	2	23	60	18	90	49
500	1/4	Roller	CAH-0565-RC	CAH-0565-RP	1	65	95	15 1/4	90	37
1000	1/2	Roller	CAH-1045-RC	CAH-1045-RP	1	45	120	15 1/4	90	37
2000	1	Roller	CAH-2023-RC	CAH-2023-RP	2	23	60	18	90	51

Spark Resistant Models

750	3/8	Link	CAH-0760-CS	CAH-0760-PS	1	60	100	15 1/4	90	36
1500	3/4	Link	CAH-1529-CS	CAH-1529-PS	2	29	52	18	90	49

* Equipped w/ 6-foot pendant control. **NOTE:** For complete dimensional data, refer to Coffing Dimensional Databook.

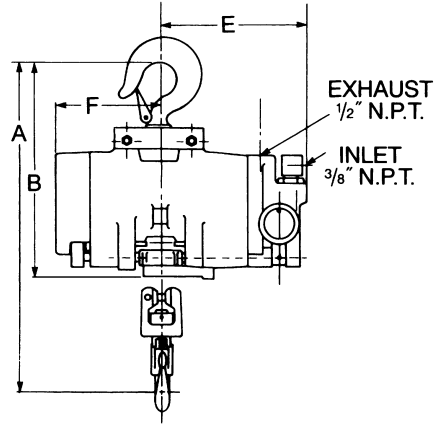
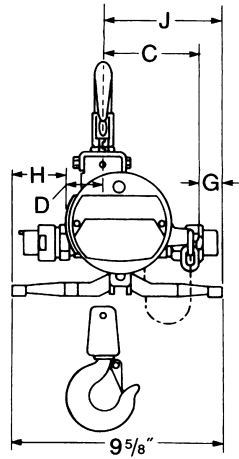
± Headroom dimension given for swivel top hook suspension only.

† Add 10 lbs. to Pull Cord Model for Net Weight on Pendant Model.

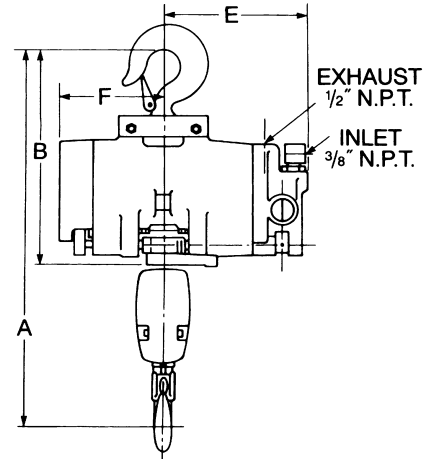
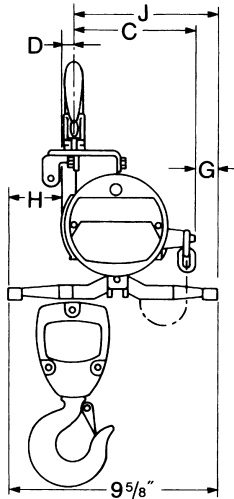
** Speeds based on 90 PSI line pressure and with full rated load. **NOTE:** Hoist speeds are adjustable and can be reduced. Shipped from factory w/ hoisting speed set to maximum rated speed; lowering speed set at rated speed.

CAH Small Frame (Hook Mount) 1/4 - 1 Ton

1/4 and 1/2 Ton - Standard
3/8 Ton - Spark Resistant



1 Ton - Standard
3/4 Ton - Spark Resistant



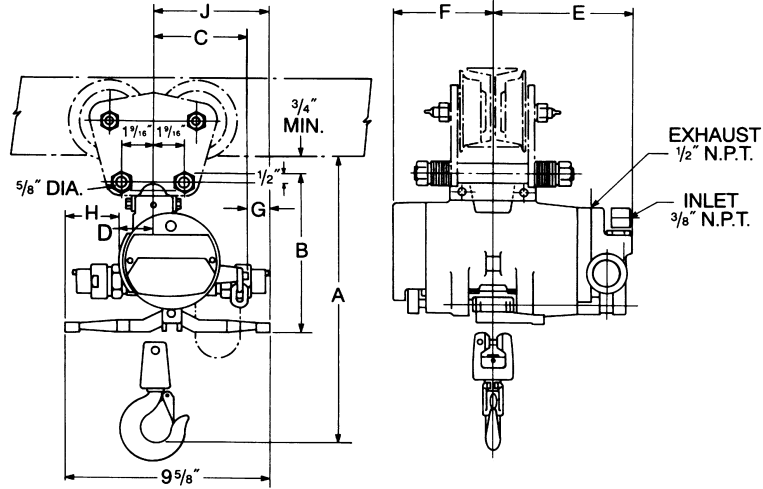
Dimensions

Model Number	Rated Load (Ton)	A	B	C	D	E	F	G	H	J
CAH-0565-LC	1/4	15 1/4	10 1/4	4 3/4	1 3/4	7 1/16	5 1/16	15/16	2 3/16	5 11/16
CAH-0565-LP	1/4	15 1/4	10 1/4	4 3/4	1 3/4	7 1/16	5 1/16	15/16	2 3/16	5 11/16
CAH-0565-RC	1/4	15 1/4	10 1/4	4 3/4	1 3/4	7 1/16	5 1/16	15/16	2 3/16	5 11/16
CAH-0565-RP	1/4	15 1/4	10 1/4	4 3/4	1 3/4	7 1/16	5 1/16	15/16	2 3/16	5 11/16
CAH-1045-LC	1/2	15 1/4	10 1/4	4 3/4	1 3/4	7 1/16	5 1/16	15/16	2 3/16	5 11/16
CAH-1045-LP	1/2	15 1/4	10 1/4	4 3/4	1 3/4	7 1/16	5 1/16	15/16	2 3/16	5 11/16
CAH-1045-RC	1/2	15 1/4	10 1/4	4 3/4	1 3/4	7 1/16	5 1/16	15/16	2 3/16	5 11/16
CAH-1045-RP	1/2	15 1/4	10 1/4	4 3/4	1 3/4	7 1/16	5 1/16	15/16	2 3/16	5 11/16
CAH-2023-LC	1	18	10 1/4	5 3/4	3/4	7 1/16	5 1/16	15/16	2 3/16	6 11/16
CAH-2023-LP	1	18	10 1/4	5 3/4	3/4	7 1/16	5 1/16	15/16	2 3/16	6 11/16
CAH-2023-RC	1	18	10 1/4	5 3/4	3/4	7 1/16	5 1/16	15/16	2 3/16	6 11/16
CAH-2023-RP	1	18	10 1/4	5 3/4	3/4	7 1/16	5 1/16	15/16	2 3/16	6 11/16
Spark Resistant Models										
CAH-0760-CS	3/8	15 1/4	10 1/4	4 3/4	1 3/4	7 1/16	5 1/16	15/16	2 3/16	5 11/16
CAH-0760-PS	3/8	15 1/4	10 1/4	4 3/4	1 3/4	7 1/16	5 1/16	15/16	2 3/16	5 11/16
CAH-1529-CS	3/4	18	10 1/4	5 3/4	3/4	7 1/16	5 1/16	15/16	2 3/16	6 11/16
CAH-1529-PS	3/4	18	10 1/4	5 3/4	3/4	7 1/16	5 1/16	15/16	2 3/16	6 11/16

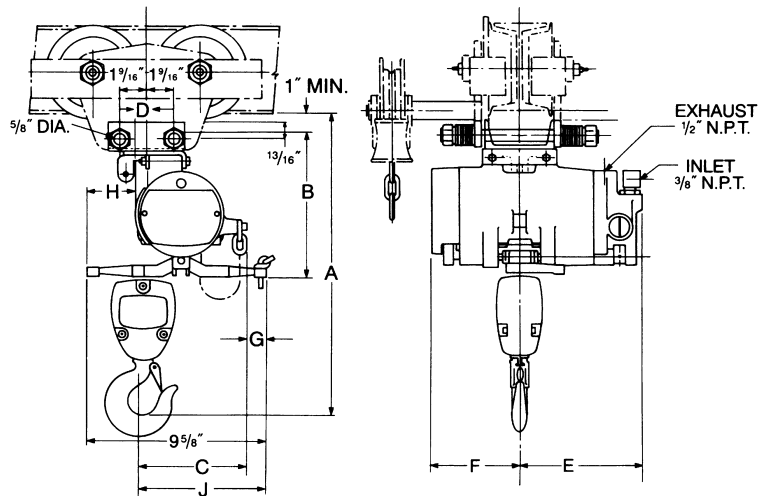
NOTE: All dimensions in inches unless otherwise indicated.

CAH Small Frame (Lug Mount) 1/4 - 1 Ton

1/4 and 1/2 Ton - Standard
3/8 Ton - Spark Resistant



1 Ton - Standard
3/4 Ton - Spark Resistant

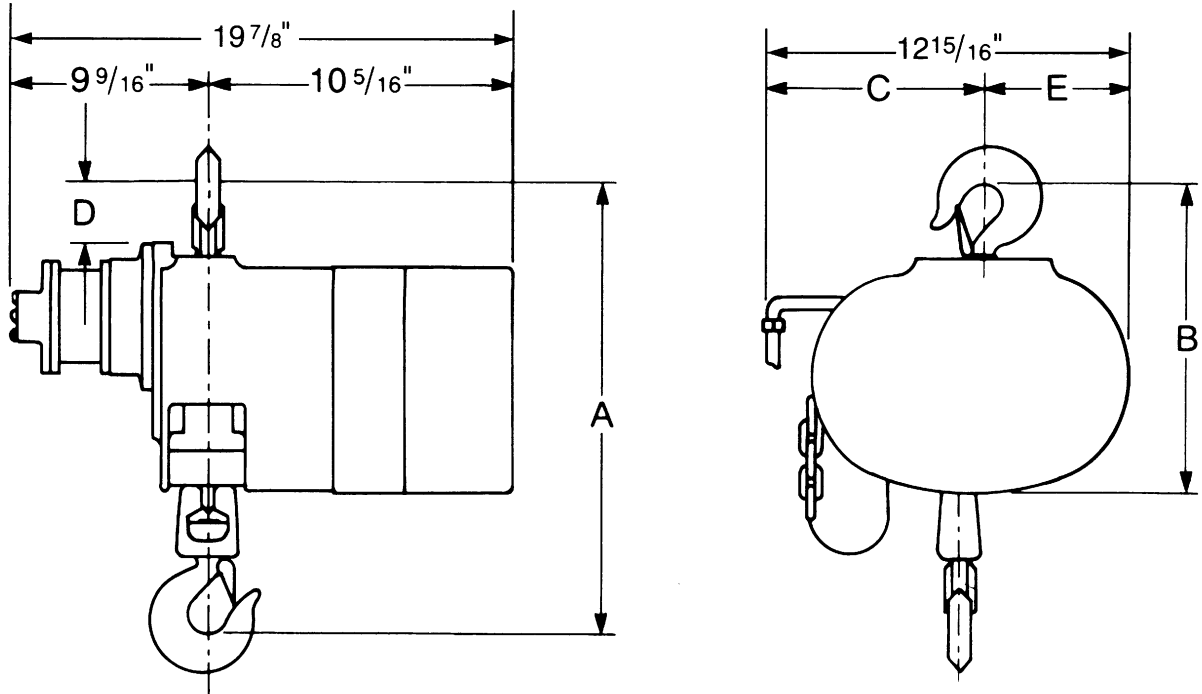


Dimensions

Model Number	Rated Load (Ton)	A	B	C	D	E	F	G	H	J
CAH-0565-LC	1/4	13 7/8	8 1/8	4 3/4	1 3/4	7 1/16	5 1/16	15/16	2 3/16	5 11/16
CAH-0565-LP	1/4	13 7/8	8 1/8	4 3/4	1 3/4	7 1/16	5 1/16	15/16	2 3/16	5 11/16
CAH-0565-RC	1/4	13 7/8	8 1/8	4 3/4	1 3/4	7 1/16	5 1/16	15/16	2 3/16	5 11/16
CAH-0565-RP	1/4	13 7/8	8 1/8	4 3/4	1 3/4	7 1/16	5 1/16	15/16	2 3/16	5 11/16
CAH-1045-LC	1/2	13 7/8	8 1/8	4 3/4	1 3/4	7 1/16	5 1/16	15/16	2 3/16	5 11/16
CAH-1045-LP	1/2	13 7/8	8 1/8	4 3/4	1 3/4	7 1/16	5 1/16	15/16	2 3/16	5 11/16
CAH-1045-RC	1/2	13 7/8	8 1/8	4 3/4	1 3/4	7 1/16	5 1/16	15/16	2 3/16	5 11/16
CAH-1045-RP	1/2	13 7/8	8 1/8	4 3/4	1 3/4	7 1/16	5 1/16	15/16	2 3/16	5 11/16
CAH-2023-LC	1	17	8 1/4	5 3/4	3/4	7 1/16	5 1/16	15/16	2 3/16	6 11/16
CAH-2023-LP	1	17	8 1/4	5 3/4	3/4	7 1/16	5 1/16	15/16	2 3/16	6 11/16
CAH-2023-RC	1	17	8 1/4	5 3/4	3/4	7 1/16	5 1/16	15/16	2 3/16	6 11/16
CAH-2023-RP	1	17	8 1/4	5 3/4	3/4	7 1/16	5 1/16	15/16	2 3/16	6 11/16
Spark Resistant Models										
CAH-0760-CS	3/8	13 7/8	8 1/8	4 3/4	1 3/4	7 1/16	5 1/16	15/16	2 3/16	5 11/16
CAH-0760-PS	3/8	13 7/8	8 1/8	4 3/4	1 3/4	7 1/16	5 1/16	15/16	2 3/16	5 11/16
CAH-1529-CS	3/4	17	8 1/4	5 3/4	3/4	7 1/16	5 1/16	15/16	2 3/16	6 11/16
CAH-1529-PS	3/4	17	8 1/4	5 3/4	3/4	7 1/16	5 1/16	15/16	2 3/16	6 11/16

NOTE: All dimensions in inches unless otherwise indicated.

CAH Large Frame (Hook Mount) 1/2 - 3 Ton

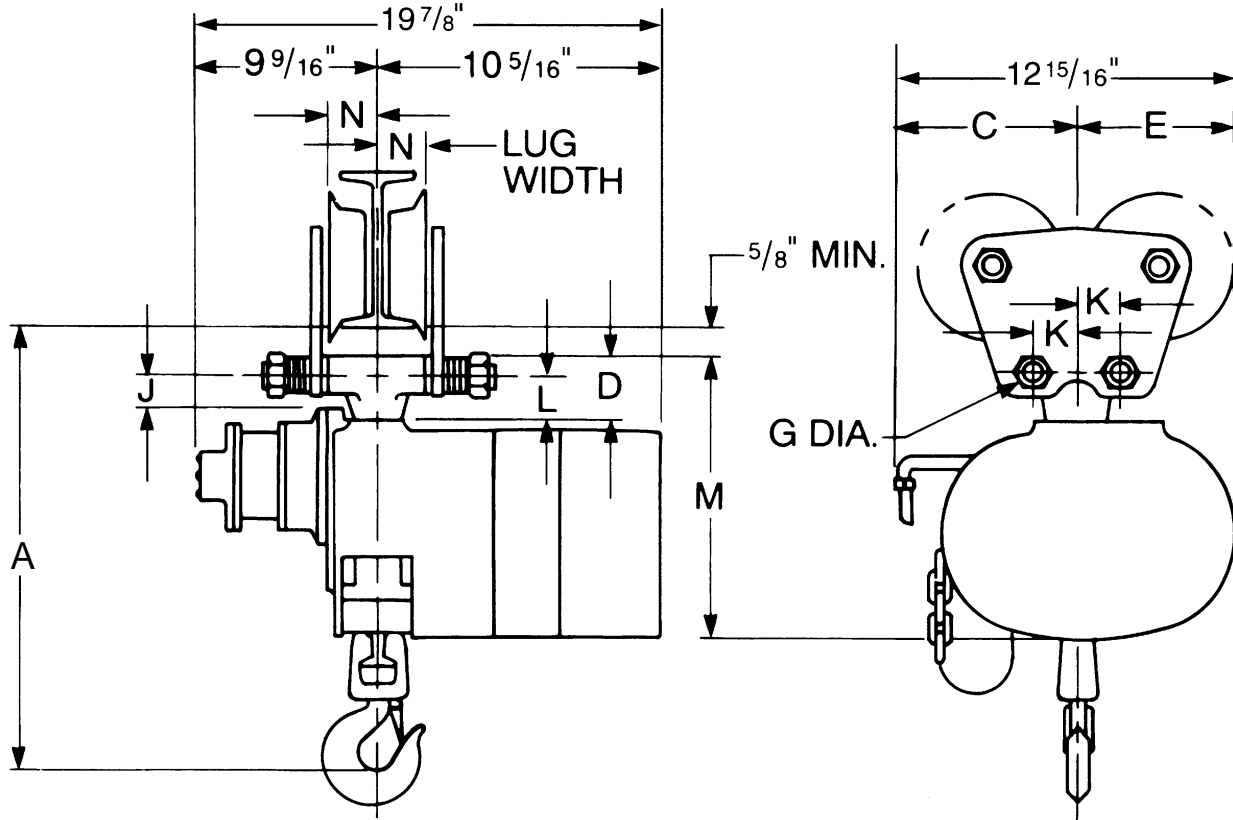


Dimensions

Model Number	Rated Load (Ton)	A	B	C	D	E
CAH-2013	1	16 ⁹ / ₁₆	11 ¹ / ₁₆	6 ³ / ₄	2 ¹¹ / ₁₆	6 ³ / ₁₆
CAH-2030	1	16 ⁹ / ₁₆	11 ¹ / ₁₆	6 ³ / ₄	2 ¹¹ / ₁₆	6 ³ / ₁₆
CAH-4006	2	22 ¹ / ₄	12 ¹³ / ₁₆	8 ¹ / ₁₆	4 ⁷ / ₁₆	4 ⁷ / ₈
CAH-4015	2	22 ¹ / ₄	12 ¹³ / ₁₆	8 ¹ / ₁₆	4 ⁷ / ₁₆	4 ⁷ / ₈
CAH-6004	3	24	14 ³ / ₈	5 ¹³ / ₁₆	5 ⁵ / ₈	7 ¹ / ₈
CAH-6010	3	24	14 ³ / ₈	5 ¹³ / ₁₆	5 ⁵ / ₈	7 ¹ / ₈
<i>Spark Resistant Models</i>						
CAH-1016-S	1/2	16 ³ / ₄	11 ¹ / ₁₆	6 ³ / ₄	2 ¹¹ / ₁₆	6 ³ / ₁₆
CAH-2008-S	1	22 ⁷ / ₈	12 ¹³ / ₁₆	8 ¹ / ₁₆	4 ⁷ / ₁₆	4 ⁷ / ₈
CAH-4005-S	2	25 ⁷ / ₈	14 ³ / ₈	5 ¹³ / ₁₆	5 ⁵ / ₈	7 ¹ / ₈

NOTE: All dimensions in inches unless otherwise indicated.

CAH Large Frame (Lug Mount) 1/2 - 3 Ton



Dimensions

Model Number	Rated Load (Ton)	A	C	D	E	G	J	K	L	M	N
CAH-2013	1	16 ¹ / ₁₆	6 ³ / ₄	2	6 ³ / ₁₆	5/8	7/8	19/16	15/16	9 ¹⁵ / ₁₆	11 ³ / ₁₆
CAH-2030	1	16 ¹ / ₁₆	6 ³ / ₄	2	6 ³ / ₁₆	5/8	7/8	19/16	15/16	9 ¹⁵ / ₁₆	11 ³ / ₁₆
CAH-4006	2	19 ³ / ₄	8 ¹ / ₁₆	2 ¹³ / ₁₆	4 ⁷ / ₈	1	1 ¹ / ₂	2 ¹ / ₂	1 ¹⁵ / ₁₆	10 ¹¹ / ₁₆	2 ³ / ₁₆
CAH-4015	2	19 ³ / ₄	8 ¹ / ₁₆	2 ¹³ / ₁₆	4 ⁷ / ₈	1	1 ¹ / ₂	2 ¹ / ₂	1 ¹⁵ / ₁₆	10 ¹¹ / ₁₆	2 ³ / ₁₆
CAH-6004	3	23 ³ / ₄	5 ¹³ / ₁₆	4 ⁵ / ₈	7 ¹ / ₈	1 ¹ / ₄	2 ¹⁵ / ₁₆	3	3 ³ / ₈	12 ⁷ / ₈	3
CAH-6010	3	23 ³ / ₄	5 ¹³ / ₁₆	4 ⁵ / ₈	7 ¹ / ₈	1 ¹ / ₄	2 ¹⁵ / ₁₆	3	3 ³ / ₈	12 ⁷ / ₈	3
<i>Spark Resistant Models</i>											
CAH-1016-S	1/2	16 ¹ / ₄	6 ³ / ₄	2	6 ³ / ₁₆	5/8	7/8	19/16	15/16	9 ¹⁵ / ₁₆	11 ³ / ₁₆
CAH-2008-S	1	21 ³ / ₈	8 ¹ / ₁₆	2 ¹³ / ₁₆	4 ⁷ / ₈	1	1 ¹ / ₂	2 ¹ / ₂	1 ¹⁵ / ₁₆	10 ¹¹ / ₁₆	2 ³ / ₁₆
CAH-4005-S	2	25	5 ¹³ / ₁₆	4 ⁵ / ₈	7 ¹ / ₈	1 ¹ / ₄	2 ¹⁵ / ₁₆	3	3 ³ / ₈	12 ⁷ / ₈	3

NOTE: All dimensions in inches unless otherwise indicated.